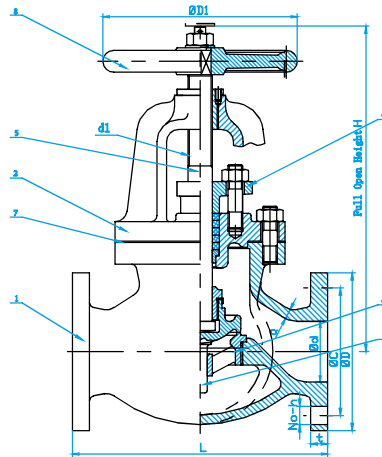


JIS MARINE VALVE

F 7305 Cast iron 5K globe valves
 F 7307 Cast iron 10K globe valves
 F 7309 Cast iron 16K globe valves



Materials Table

	NAME OF PART	MATERIAL	
		CLASS B	CLASS S
1	Booy	FC200	
2	BONNET	FC200	
3	DISC	BC6	SCS2
4	VALVE SEAT	BC6	SCS2
5	STEM	C3771BD OH BE	SUS 403
6	packing gland	BC6	
7	GASKET	non-asbestos	
8	HANDWHEEL	FC200	

Size Table(7305)

DN	d	L	D	C	NO.	h	t	H	D2
50	50	210	130	105	4	15	16	270	160
65	65	250	155	130	4	15	18	300	180
80	80	280	180	145	4	19	18	310	180
100	100	340	200	165	8	19	20	360	224
125	125	410	235	200	8	19	20	390	250
150	150	480	265	230	8	19	22	445	280
200	200	570	320	280	8	23	24	530	315
250	250	740	385	345	12	23	26	650	355
300	300	840	430	390	12	23	28	740	400
350	350	940	480	435	12	25	30	840	500

Size Table(7307)

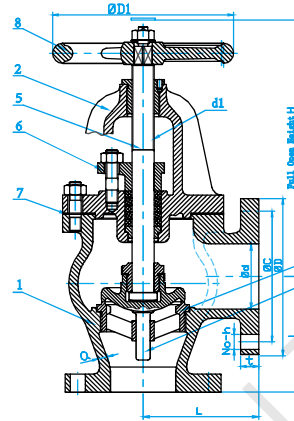
DN	d	L	D	C	NO.	h	t	H	D2
50	50	220	155	120	4	19	20	285	160
65	65	270	175	140	4	19	22	310	200
80	80	300	185	150	8	19	22	320	200
100	100	350	210	175	8	19	24	370	250
125	125	420	250	210	8	23	24	420	280
150	150	490	280	240	8	23	26	470	315
200	200	570	330	290	12	23	26	555	355
250	250	740	400	355	12	25	30	680	470
300	300	840	445	400	12	25	32	770	550

Size Table(7309)

DN	d	L	D	C	NO.	h	t	H	D2
50	50	220	155	120	8	19	20	285	160
65	65	270	175	140	8	19	22	310	200
80	80	300	200	160	8	23	24	340	224
100	100	350	225	185	8	23	26	385	250
125	125	430	270	225	8	25	26	455	315
150	150	500	305	260	12	25	28	510	355
200	200	570	350	305	12	25	30	630	450

JIS MARINE VALVE

F 7306 Cast iron 5K angle valves
 F 7308 Cast iron 10K angle valves
 F 7310 Cast iron 16K angle valves



Materials Table

	NAME OF PART	MATERIAL	
		CLASS B	CLASS S
1	Booy	FC200	
2	BONNET	FC200	
3	DISC	BC6	SCS2
4	VALVE SEAT	BC6	SCS2
5	STEM	C3771BD OH BE	SUS 403
6	packing gland	BC6	
7	GASKET	non-asbestos	
8	HANDWHEEL	FC200	

Size Table (7306)

DN	d	L	D	C	NO.	h	t	H	D2
50	50	100	130	105	4	15	16	240	160
65	65	115	155	130	4	15	18	255	180
80	80	130	180	145	4	19	18	265	180
100	100	150	200	165	8	19	20	310	224
125	125	170	235	200	8	19	20	330	250
150	150	190	265	230	8	19	22	450	280
200	200	220	320	280	8	23	24	540	315
250	250	275	385	345	12	23	26	610	355
300	300	310	430	390	12	23	28	690	400
350	335	360	480	435	12	25	30	770	500
400	380	395	540	495	16	25	30		560

Size Table (7308)

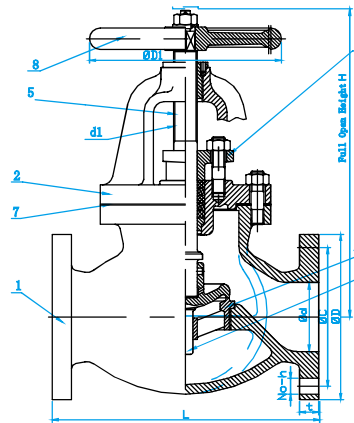
DN	d	L	D	C	NO.	h	t	H	D2
50	50	120	155	120	4	19	20	250	160
65	65	130	175	140	4	19	22	270	200
80	80	140	185	150	8	19	22	275	200
100	100	160	210	175	8	19	24	315	250
125	125	180	250	210	8	23	24	360	280
150	150	205	280	240	8	23	26	405	315
200	200	230	330	290	12	23	26	475	355
250	250	290	400	355	12	25	30	570	450
300	300	320	445	400	16	25	32	645	500
350	335	360	490	445	16	25	34	710	560

Size Table (7310)

DN	d	L	D	C	NO.	h	t	H	D2
50	50	120	155	120	8	19	20	255	160
65	65	130	175	140	8	19	22	270	200
80	80	150	200	160	8	23	24	295	224
100	100	170	225	185	8	23	26	330	250
125	125	200	270	225	8	25	26	390	315
150	150	225	305	260	12	25	28	435	355
200	200	250	350	305	12	25	30	540	450

JIS MARINE VALVE

F 7353 Cast iron 5K screw-down check globe valves
 F 7375 Cast iron 10K screw-down check globe valves
 F 7377 Cast iron 16K screw-down check globe valves



Materials Table

	NAME OF PART	MATERIAL	
		CLASS B	CLASS S
1	Booy	FC200	
2	BONNET	FC200	
3	DISC	BC6	SCS2
4	VALVE SEAT	BC6	SCS2
5	STEM	C377IBD OH BE	SUS 403
6	packing gland	BC6	
7	GASKET	non-asbestos	
8	HANDWHEEL	FC200	

Size Table (7353)

DN	d	L	D	C	NO.	h	t	H	D2
50	50	210	130	105	4	15	16	270	160
65	65	250	155	130	4	15	18	290	180
80	80	280	180	145	4	19	18	300	180
100	100	340	200	165	8	19	20	350	224
125	125	410	235	200	8	19	20	380	250
150	150	480	265	230	8	19	22	430	280
200	200	570	320	280	8	23	24	505	315
250	250	740	385	345	12	23	26	620	355
300	300	840	430	390	12	23	28	715	400
350	335	940	480	435	12	25	30	815	500

Size Table (7375)

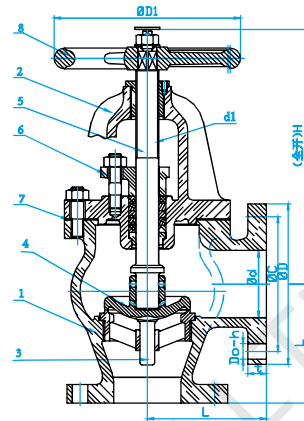
DN	d	L	D	C	NO.	h	t	H	D2
50	50	220	155	120	4	19	20	285	160
65	65	270	175	140	4	19	22	305	200
80	80	300	185	150	8	19	22	315	200
100	100	350	210	175	8	19	24	360	250
125	125	420	250	210	8	23	24	410	280
150	150	490	280	240	8	23	26	455	315
200	200	570	330	290	12	23	26	530	355
250	250	740	400	355	12	25	30	645	450

Size Table (7377)

DN	d	L	D	C	NO.	h	t	H	D2
50	50	220	155	120	8	19	20	285	160
65	65	270	175	140	8	19	22	305	200
80	80	300	200	160	8	23	24	335	224
100	100	350	225	185	8	23	26	375	250
125	125	430	270	225	8	25	26	440	315
150	150	500	305	260	12	25	28	500	355
200	200	570	350	305	12	25	30	606	450

JIS MARINE VALVE

F 7354 Cast iron 5K screw-down check angle valves
 F 7376 Cast iron 10K screw-down check angle valves
 F 7378 Cast iron 16K screw-down check angle valves



Materials Table

	NAME OF PART	MATERIAL	
		CLASS B	CLASS S
1	Booy	FC200	
2	BONNET	FC200	
3	DISC	BC6	SCS2
4	VALVE SEAT	BC6	SCS2
5	STEM	C377IBD OH BE	SUS 403
6	packing gland	BC6	
7	GASKET	non-asbestos	
8	HANDWHEEL	FC200	

Size Table (7354)

DN	d	L	D	C	NO.	h	t	H	D2
50	50	100	130	105	4	15	16	240	160
65	65	115	155	130	4	15	18	245	180
80	80	130	180	145	4	19	18	255	180
100	100	150	200	165	8	19	20	300	224
125	125	170	235	200	8	19	20	320	250
150	150	190	265	230	8	19	22	365	280
200	200	220	320	280	8	23	24	425	315
250	250	275	385	345	12	23	26	510	355
300	300	310	430	390	12	23	28	585	400
350	335	360	480	435	12	25	30	660	500
400	380	395	540	495	16	25	30	730	560
450	430	440	605	555	16	25	30	835	630

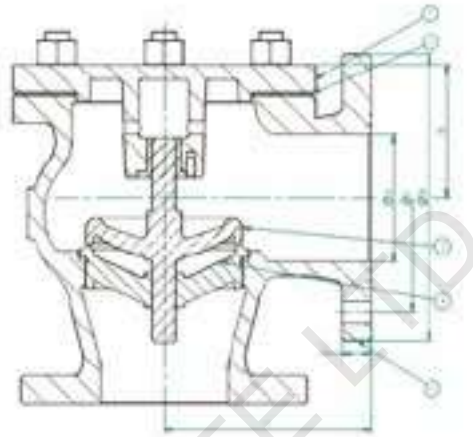
Size Table (7376)

DN	d	L	D	C	NO.	h	t	H	D2
50	50	120	155	120	4	19	20	255	160
65	65	130	175	140	4	19	22	260	200
80	80	140	185	150	8	19	22	270	200
100	100	160	210	175	8	19	24	305	250
125	125	180	250	210	8	23	24	350	280
150	150	205	280	240	8	23	26	390	315
200	200	230	330	290	12	23	26	450	355
250	250	290	400	355	12	25	30	536	450

Size Table (7378)

DN	d	L	D	C	NO.	h	t	H	D2
50	50	120	155	120	8	19	20	255	160
65	65	130	175	140	8	19	22	260	200
80	80	150	200	160	8	23	24	290	224
100	100	170	225	185	8	23	26	320	250
125	125	200	270	225	8	25	26	375	315
150	150	225	305	260	12	25	28	425	355
200	200	250	350	305	12	25	30	521	450

JIS F 7359 Cast iron 5K lift check angle valves



Materials Table

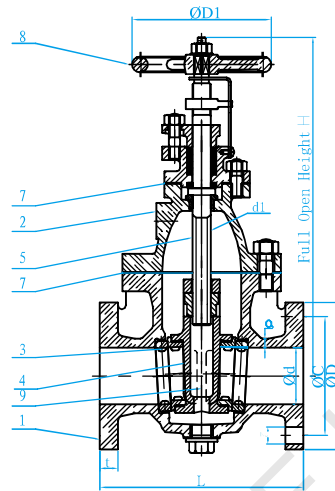
	NAME OF PART	MATERIAL
1	BODY	FC200
2	BONNET	FC200
3	DISC	BC6
4	VALVE SEAT	BC6
5	GASKET	non-asbestos

Size Table

DN	d	L	D	C	NO.	h	t	H
50	50	100	130	105	4	15	16	77
65	65	115	155	130	4	15	18	81
80	80	130	180	145	4	19	18	84
100	100	150	200	165	8	19	20	96
125	125	170	235	200	8	19	20	108
150	150	190	265	230	8	19	22	125
200	200	220	320	280	8	23	24	157
250	250	275	385	345	12	23	26	180

JIS MARINE VALVE

F 7363 Cast iron 5K gate valves
 F 7364 Cast iron 10K gate valves
 F 7369 Cast iron 16K gate valves



Materials Table

	NAME OF PART	MATERIAL	
		CLASS B	CLASS S
1	BODY	FC200	
2	BONNET	FC200	
3	VALVE SEAT	BC6	SCS2
4	VALVE SEAT	BC6	SCS2
5	STEM	C377IBD OH BE	SUS 403
6	packing gland	BC6	
7	GASKET	non-asbestos	
8	HANDWHEEL	FC200	
9	DISC	FC200	

Size Table (7363)

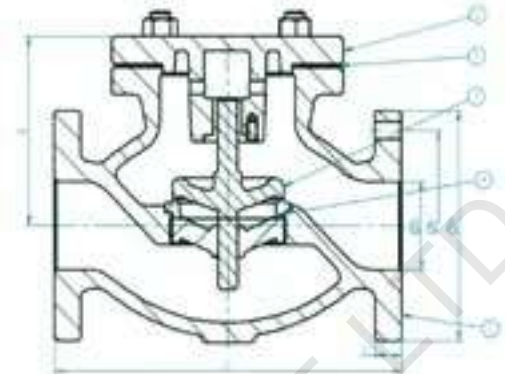
DN	d	L	D	C	NO.	h	t	H	D2
50	50	180	130	105	4	15	16	285	125
65	65	190	155	130	4	15	18	330	140
80	80	200	180	145	4	19	18	380	160
100	100	230	200	165	8	19	20	430	180
125	125	250	235	200	8	19	20	495	200
150	150	270	265	230	8	19	22	560	224
200	200	290	320	280	8	23	24	680	280
250	250	330	385	345	12	23	26	800	355
300	300	370	430	390	12	23	28	920	400
335	335	410	480	435	12	25	30	1000	450
380	380	470	540	495	16	25	30	1100	500
430	430	500	605	555	16	25	30	1420	560

Size Table (7364)

DN	d	L	D	C	NO.	h	t	H	D2
50	50	200	155	120	4	19	20	300	140
65	65	220	175	140	4	19	22	350	160
80	80	230	185	150	8	19	22	400	180
100	100	250	210	175	8	19	24	450	200
125	125	270	250	210	8	23	24	520	224
150	150	290	280	240	8	23	26	580	250
200	200	320	330	290	12	23	26	700	315
250	250	380	400	355	12	25	30	840	400
300	300	440	445	400	16	25	32	960	450
350	335	500	490	445	16	25	34	1050	500
400	380	590	560	510	16	27	36	1150	560
450	430	640	620	565	20	27	38	1491	630

Size Table (7369)

DN	d	L	D	C	NO.	h	t	H	D2
50	50	200	155	120	8	19	20	300	140
65	65	220	175	140	8	19	22	350	160
80	80	230	200	160	8	23	24	400	180
100	100	250	225	185	8	23	26	450	200
125	125	270	270	225	8	25	26	520	224
150	150	290	305	260	12	25	28	580	250
200	200	320	350	305	12	25	30	700	315

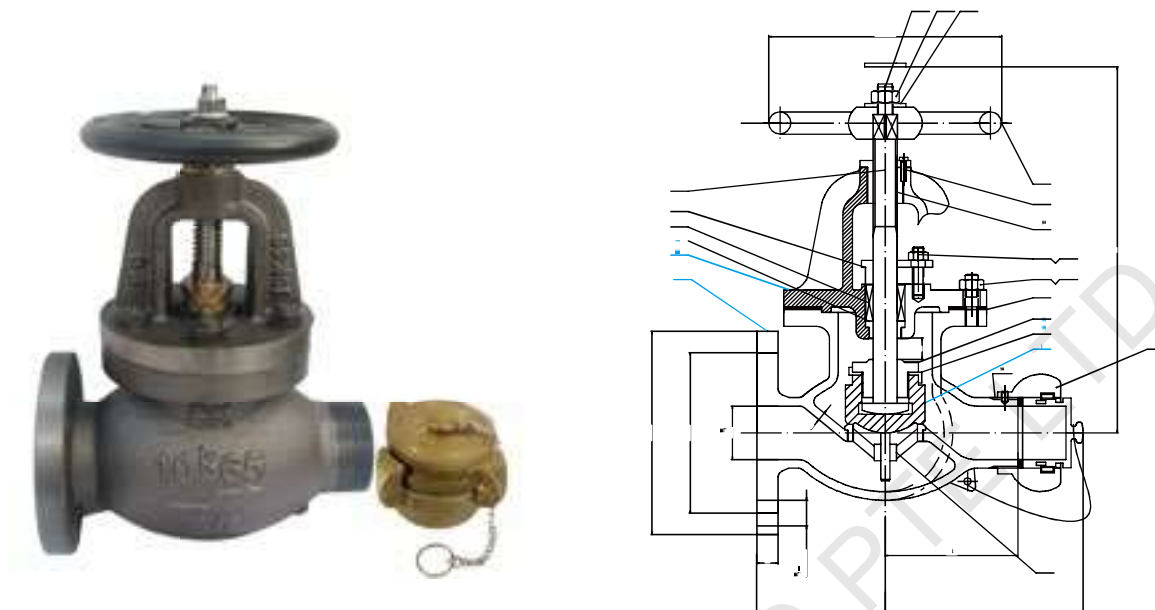


Materials Table

	NAME OF PART	MATERIAL
1	BODY	FC200
2	BONNET	FC200
3	DISC	BC6
4	VALVE SEAT	BC6
5	GASKET	non-asbestos

Size Table

DN	d	L	D	C	NO.	h	t	H
50	50	210	130	105	4	15	16	107
65	65	250	155	130	4	15	18	124
80	80	280	180	145	4	19	18	129
100	100	340	200	165	8	19	20	146
125	125	410	235	200	8	19	20	166
150	150	480	265	230	8	19	22	188

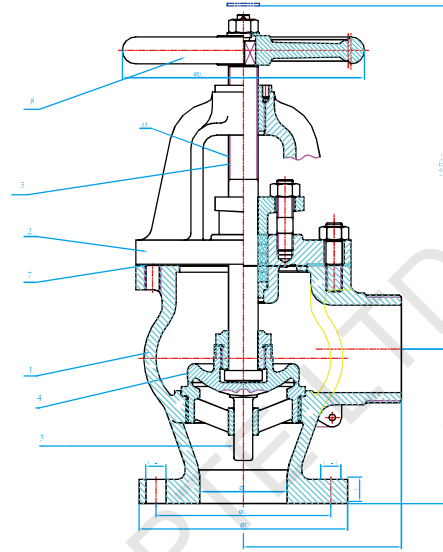


Materials Table

	NAME OF PART	MATERIAL
1	BODY	FC200
2	BONNET	FC200
3	DISC	BC6
4	VALVE SEAT	BC6
5	STEM	C3771BD OR BE
6	packing gland	BC6
7	GASKET	non-asbestos
8	HANDWHEEL	FC200

Size Table

DN	d	L	D	C	NO.	h	t	H	D2	D1	d1
5K50	50	165	130	105	4	15	16	270	160	105	M64x2
10K50	50	170	155	120	4	19	20	285	160	110	M64x2
10K65	65	200	175	140	4	19	22	310	200	135	M80x2



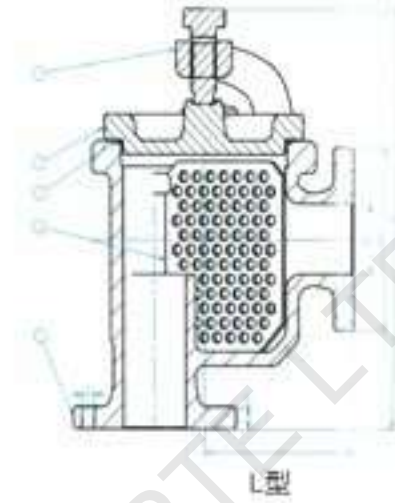
Materials Table

	NAME OF PART	MATERIAL
1	BODY	FC200
2	BONNET	FC200
3	DISC	BC6
4	VALVE SEAT	BC6
5	STEM	C3771BD OR BE
6	packing gland	BC6
7	GASKET	non-asbestos
8	HANDWHEEL	FC200

Size Table

DN	d	L	D	C	NO.	h	t	H	D2	L1	d1
5K50	50	155	130	105	4	15	16	240	160	100	M64x2
10K50	50	170	155	120	4	19	20	255	160	120	M64x2
10K65	65	185	175	140	4	19	22	270	200	130	M80x2

JIS F 7203 Marine Mud Boxes



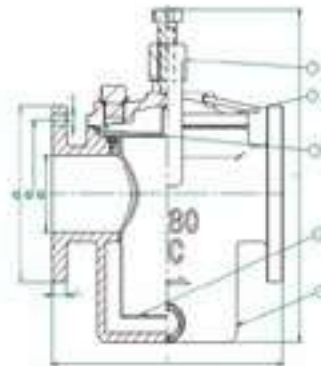
Materials Table

	NAME OF PART	MATERIAL
1	BODY	FC200
2	BONNET	FC200
3	Cover push	FCD400
4	Strainer	SS400
5	O-ring	NBR

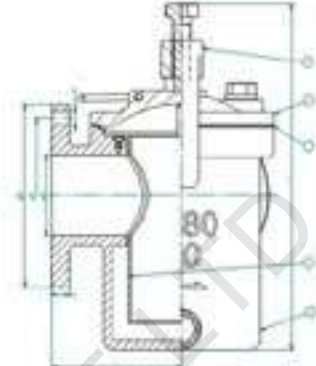
Size Table

DN	d	L	D	C	NO.	h	t	H
50	50	120	130	105	4	15	16	299
65	65	150	155	130	4	15	18	341
80	80	160	180	145	4	19	18	375
100	100	190	200	165	8	19	20	441
10K50	50	120	155	120	4	19	20	299
10K65	65	150	175	140	4	19	22	341
10K80	80	160	185	150	8	19	22	375
10K100	100	190	210	175	8	19	24	441

JIS F 7121 Shipbuilding-Can water filters



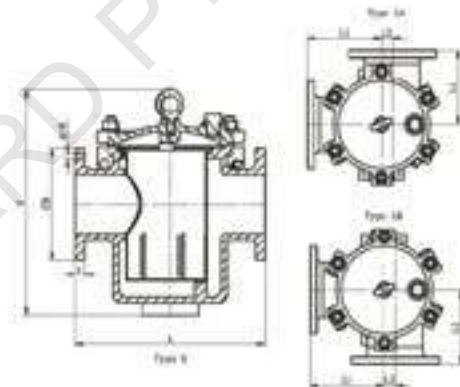
S型



LA型/LB型

Materials Table

	NAME OF PART	MATERIAL
1	BODY	FC200
2	BONNET	FC200
3	Cover push	FCD400
4	Strainer	SUS 304
5	GASKET	NBR



Size Table

S

DN	d	L	D	C	NO.	h	t	H
25	25	170	95	75	4	12	14	191
32	32	190	115	90	4	15	16	218
40	40	190	120	95	4	15	16	218
50	50	200	130	105	4	15	16	239
65	65	250	155	130	4	15	18	306
80	80	270	180	145	4	19	18	341
100	100	320	200	165	8	19	20	401

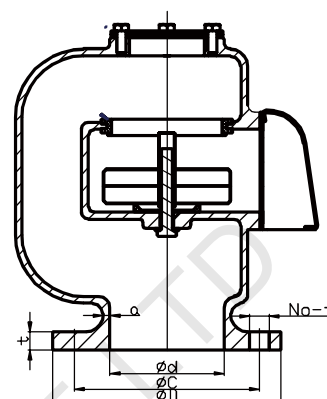
Size Table

L

DN	d	L	D	C	NO.	h	t	H
25	25	85	95	75	4	12	14	191
32	32	95	115	90	4	15	16	218
40	40	95	120	95	4	15	16	218
50	50	100	130	105	4	15	16	239
65	65	125	155	130	4	15	18	306
80	80	135	180	145	4	19	18	341
100	100	160	200	165	8	19	20	401

DN	D	L	L1	C	NO.	h	t	H	L2
5K125	235	400	200	200	8	19	20	485	30
10K125	250	400	200	210	8	23	24	485	30
5K150	265	460	230	230	8	19	22	575	35
10K150	280	460	230	240	8	23	26	575	35
5K200	320	550	275	280	8	23	24	665	50
10K200	330	550	275	290	12	23	26	665	50

Cast iron JIS air vent head disc type

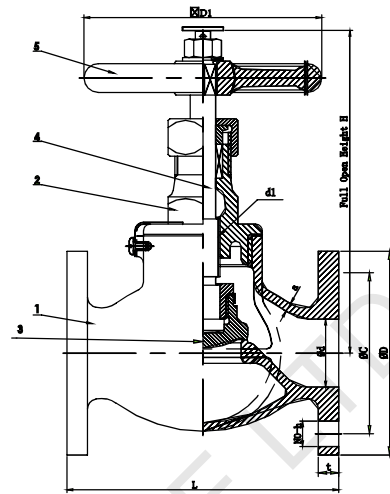


Materials Table

	NAME OF PART	MATERIAL
1	BODY	FC200
2	DISC	SUS304
3	Packing	NBR
4	Strainer	SS400(SUS304)

Size Table

DN	d	D	C	h	hole
50A	50	130	105	4	$\Phi 15$
65A	65	155	130	4	$\Phi 15$
80A	80	180	145	4	$\Phi 19$
100A	100	200	165	8	$\Phi 19$
125A	125	235	200	8	$\Phi 19$
150A	150	265	230	8	$\Phi 19$
200A	200	320	280	8	$\Phi 23$
250A	250	385	345	12	$\Phi 23$
300A	300	430	390	12	$\Phi 23$
350A	350	480	435	12	$\Phi 23$
400A	400	540	495	16	$\Phi 25$
450A	450	605	555	16	$\Phi 25$



Materials Table

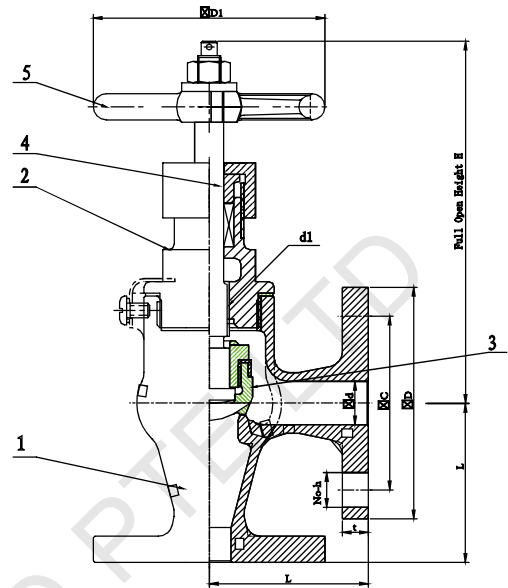
	NAME OF PART	MATERIAL
1	BODY	BC6
2	BONNET	BC6
3	DISC	BC6
4	STEM	C3771BD OR BE
5	HANDWHEEL	FC200

Size Table (7301)

DN	d	L	D	C	NO.	b	t	H	D2
15	15	100	80	60	4	12	9	130	80
20	20	110	85	65	4	12	10	140	100
25	25	120	95	75	4	12	10	160	125
32	32	140	115	90	4	15	12	170	125
40	40	160	120	95	4	15	12	190	140
50	50	210	130	105	4	15	14	235	140
65	65	250	155	130	4	15	14	260	160
80	80	280	180	145	4	19	16	280	160
100	100	340	200	165	8	19	18	333	200

Size Table (7303)

DN	d	L	D	C	NO.	b	t	H	D2
15	15	100	95	70	4	15	12	130	80
20	20	120	100	75	4	15	14	140	100
25	25	130	125	90	4	19	14	160	125
32	32	160	135	100	4	19	16	170	125
40	40	180	140	105	4	19	16	190	140
10K50	50	210	155	120	4	19	14	233	140
10K50	50	210	155	120	8	19	14	233	140



Materials Table

	NAME OF PART	MATERIAL
1	BODY	BC6
2	BONNET	BC6
3	DISC	BC6
4	STEM	C3771BD OR BE
5	HANDWHEEL	FC200

Size Table (7302)

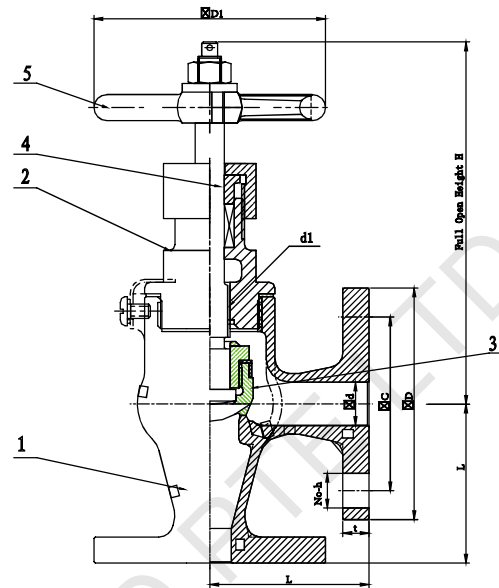
DN	d	L	D	C	NO.	h	t	H	D2
15	15	55	80	60	4	12	9	120	80
20	20	60	85	65	4	12	10	130	100
25	25	65	95	75	4	12	10	145	125
32	32	80	115	90	4	15	12	150	125
40	40	85	120	95	4	15	12	165	140
50	50	100	130	105	4	15	14	200	140
65	65	115	155	130	4	15	14	220	160

Size Table (7304)

DN	d	L	D	C	NO.	h	t	H	D2
15	15	70	95	70	4	15	12	120	80
20	20	75	100	75	4	15	14	130	100
25	25	85	125	90	4	19	14	145	125
32	32	95	135	100	4	19	16	150	125
40	40	100	140	105	4	19	16	165	140

JIS MARINE VALVE

F 7347 Bronze 5K angle valves(union bonnet type)
 F 7349 Bronze 16K angle valves(union bonnet type)



Materials Table

	AMOUNT OF PART	MATERIAL
1	BODY	BC6
2	BONNET	BC6
3	DISC	BC6
4	STEM	C3771BD OR BE
5	GASKET	non-asbestos
6	HANDWHEEL	FC200

Size Table (7347)

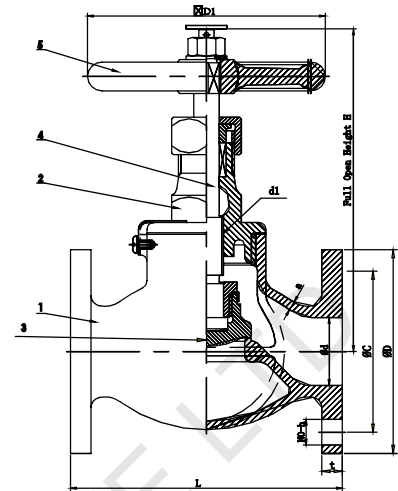
DN	d	L	D	C	NO.	h	t	H	D2
15	15	55	80	60	4	12	9	145	80
20	20	60	85	65	4	12	10	155	100
25	25	65	95	75	4	12	10	175	125
32	32	80	115	90	4	15	12	175	125
40	40	85	120	95	4	15	12	190	140

Size Table (7349)

DN	d	L	D	C	NO.	h	t	H	D2
15	15	70	95	70	4	15	12	145	80
20	20	75	100	75	4	15	14	155	100
25	25	85	125	90	4	19	14	175	125
32	32	95	135	100	4	19	16	175	125
40	40	100	140	105	4	19	16	190	140

JIS MARINE VALVE

F 7351 Bronze 5K screw-down check globe valves
F 7409 Bronze 16K screw-down check globe valves



Materials Table

	NAME OF PART	MATERIAL
1	BODY	BC6
2	B ONNET	BC6
3	DISC	BC6
4	STEM	C3771BD OR BE
5	HAN DWHEEL	FC200

Size Table (7351)

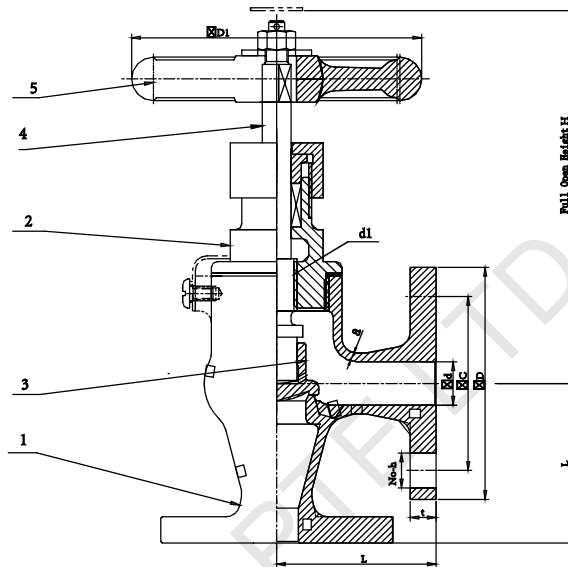
DN	d	L	D	C	NO.	b	t	H	D2
15	15	100	80	60	4	12	9	130	80
20	20	110	85	65	4	12	10	140	100
25	25	120	95	75	4	12	10	155	125
32	32	140	115	90	4	15	12	165	125
40	40	160	120	95	4	15	12	185	140
50	50	210	130	105	4	15	14	229	140
65	65	250	155	130	4	15	14	250	160
80	80	280	180	145	4	19	16	270	160

Size Table (7409)

DN	d	L	D	C	NO.	b	t	H	D2
15	15	110	95	70	4	15	12	130	80
20	20	120	100	75	4	15	14	140	100
25	25	130	125	90	4	19	14	155	125
32	32	160	135	100	4	19	16	165	125
40	40	180	140	105	4	19	16	185	140
10K50	50	210	155	120	4	19	14	229	140
16K50	50	210	155	120	8	19	14	229	140

JIS MARINE VALVE

F 7352 Bronze screw-down check angle valves
F 7410 Bronze screw-down check angle valves



Materials Table

	NAME OF PART	MATERIAL
1	BODY	BC6
2	BONNET	BC6
3	DISC	BC6
4	STEM	C3771BD OR BE
5	HANDWHEEL	FC200

Size Table (7352)

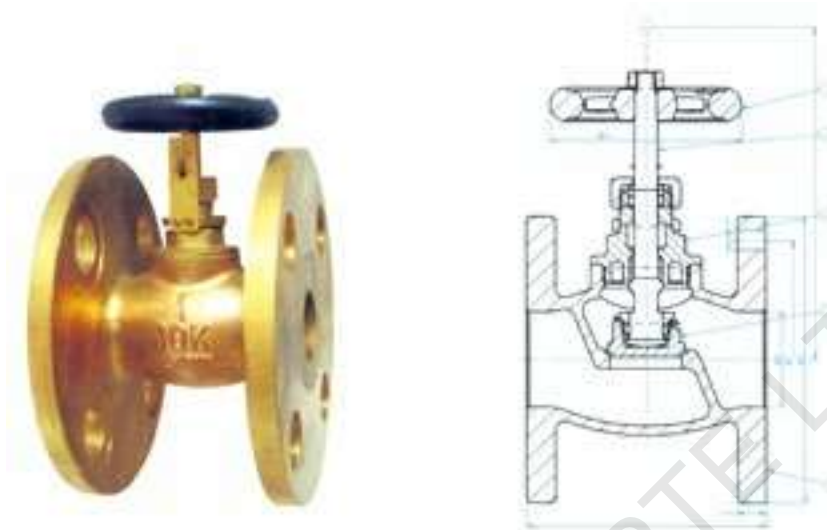
DN	d	L	D	C	NO.	h	t	H	D2
15	15	55	80	60	4	12	9	120	80
20	20	60	85	65	4	12	10	125	100
25	25	65	95	75	4	12	10	140	125
32	32	80	115	90	4	15	12	145	125
40	40	85	120	95	4	15	12	160	140
50	50	100	130	105	4	15	14	197	140
65	65	115	155	130	4	15	14	209	160

Size Table (7410)

DN	d	L	D	C	NO.	h	t	H	D2
15	15	70	95	70	4	15	12	120	80
20	20	75	100	75	4	15	14	125	100
25	25	85	125	90	4	19	14	140	125
32	32	95	135	100	4	19	16	145	125
40	40	100	140	105	4	19	16	160	140

JIS MARINE VALVE

Class 150 bronze 5K globe valves open/close indicator
 Class 150 bronze 10K globe valves open/close indicator



Materials Table

	NAME OF PART	MATERIAL
1	BODY	BC6
2	BONNET	C3771BD OR BE
3	DISC	C3771BD OR BE
4	STEM	C3771BD OR BE
5	HANDWHEEL	FC200

Size Table (5K)

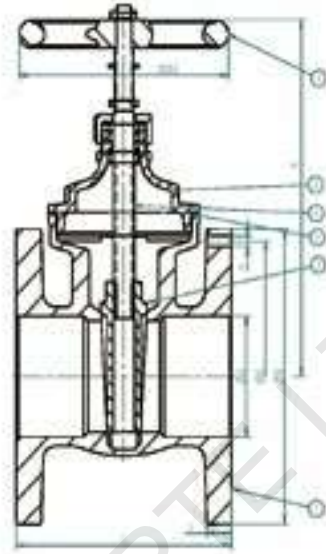
DN	d	L	D	C	NO.	h	t	H	D2
15	15	60	80	60	4	12	8	77	50
20	20	70	85	65	4	12	9	88	65
25	25	80	95	75	4	12	10	89	65
32	32	100	115	90	4	15	11	110	80
40	40	100	120	95	4	15	12	126	80
50	50	120	130	105	4	15	13	139	100
65	65	140	155	130	4	15	13	154	125
80	80	160	180	145	4	19	16	178	140

Size Table (10K)

DN	d	L	D	C	NO.	h	t	H	D2
15	15	60	95	70	4	15	8	77	50
20	20	70	100	75	4	15	9	88	65
25	25	80	125	90	4	19	10	89	65
32	32	100	135	100	4	19	11	110	80
40	40	100	140	105	4	19	12	126	80
50	50	120	155	120	4	19	13	139	100
65	65	140	175	140	4	19	13	154	125

JIS MARINE VALVE

Class 150 bronze 5K gate valves open/close indicator
 Class 150 bronze 10K gate valves open/close indicator



Materials Table

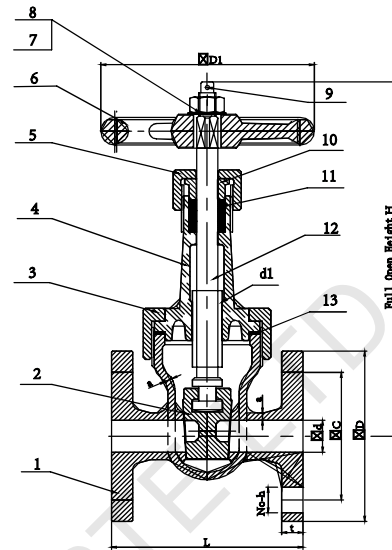
	NAME OF PART	MATERIAL
1	BODY	BC6
2	BONNET	BC6
3	DISC	BC6
4	STEM	C3771BD OR BE
5	GASKET	F4
6	HANDWHEEL	FC200

Size Table (5K)

DN	d	L	D	C	NO.	h	t	H	D2
15	20	80	80	60	4	15	8	109	80
20	25	80	85	65	4	15	9	110	80
25	25	80	95	75	4	19	10	110	80
32	39	101	115	90	4	19	11	142	100
40	39	101	120	95	4	19	12	142	100
50	50	116	130	105	4	19	13	167	125
65	62	128	155	130	4	19	13	195	125
80	74	144	180	145	8	19	15	218	140
100	100	166	200	165	8	19	15	271	180

Size Table (10K)

DN	d	L	D	C	NO.	h	t	H	D2
15	20	80	95	70	4	15	8	109	80
20	25	80	100	75	4	15	9	110	80
25	25	80	125	90	4	19	10	110	80
32	39	101	135	100	4	19	11	142	100
40	39	101	140	105	4	19	12	142	100
50	50	116	155	120	4	19	13	167	125
65	62	128	175	140	4	19	13	195	125
80	74	144	185	150	8	19	15	218	140
100	100	166	210	175	8	19	15	271	180



Materials Table

序号	NAME OF PART	MATERIAL
1	BODY	BC6
2	BONNET	BC6
3	DISC	BC6
4	STEM	C3771BD OR BE
5	GASKET	non-asbestos
6	HANDWHEEL	FC200

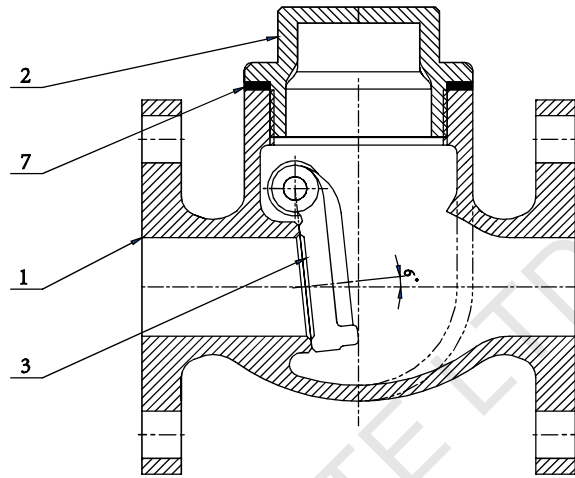
Size Table (7367)

DN	d	L	D	C	NO.	h	t	H	D2
15	15	90	80	60	4	12	9	175	80
20	20	100	85	65	4	12	10	200	80
25	25	110	95	75	4	12	10	220	100
32	32	130	115	90	4	15	12	250	100
40	40	140	120	95	4	15	12	290	125
50	50	180	130	105	4	15	16	282	125
65	65	190	155	130	4	15	18	302	140
80	80	200	180	145	4	19	18	335	160
100	100	230	200	165	8	19	18	375	180

Size Table (7368)

DN	d	L	D	C	NO.	h	t	H	D2
15	15	100	95	70	4	15	12	175	80
20	20	110	100	75	4	15	14	200	80
25	25	120	125	90	4	19	14	220	100
32	32	140	135	100	4	19	16	250	100
40	40	150	140	105	4	19	16	290	125
50	50	200	155	120	4	19	16	282	125
65	65	220	175	140	4	19	18	302	140

JIS MARINE VALVE
F 7371 5K Bronze swing check valves

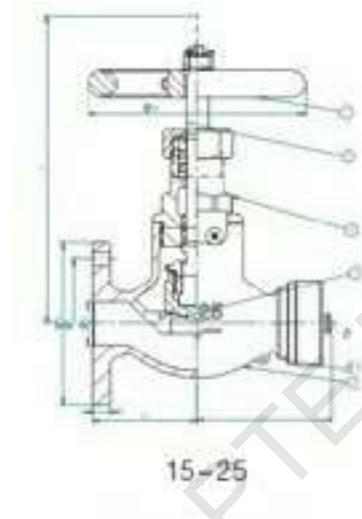


Materials Table

	NAME OF PART	MATERIAL
1	BODY	BC6
2	BONNET	BC6
3	DISC	BC6

Size Table

DN	d	L	D	C	NO.	h	t	H
5K15	15	110	80	60	4	12	10	69
5K20	20	110	85	65	4	12	10	69
5K25	25	110	95	75	4	12	10	69
5K32	32	130	115	90	4	15	12	79
5K40	40	140	120	95	4	15	12	93
10K15	15	110	95	70	4	15	10	69
10K20	20	110	100	75	4	15	10	69
10K25	25	110	125	90	4	19	10	69
10K32	32	130	135	100	4	19	12	79
10K40	40	140	140	105	4	19	12	93

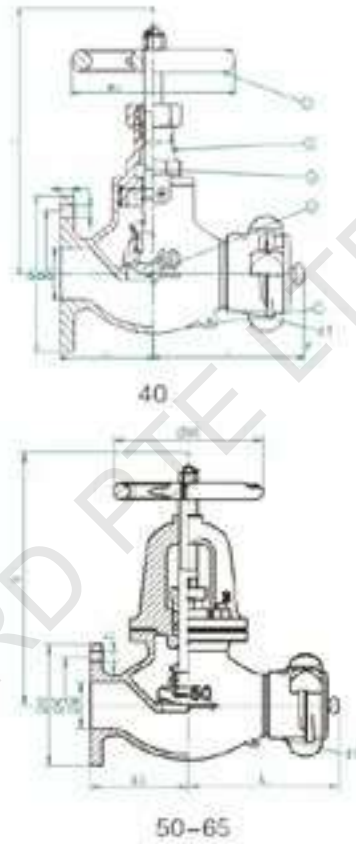


Materials Table (15-40)

	NAME OF PART	MATERIAL
1	BODY	BC6
2	BONNET	BC6
3	DISC	BC6
4	STEM	C3771BD OR BE
5	HANDWHEEL	FC200

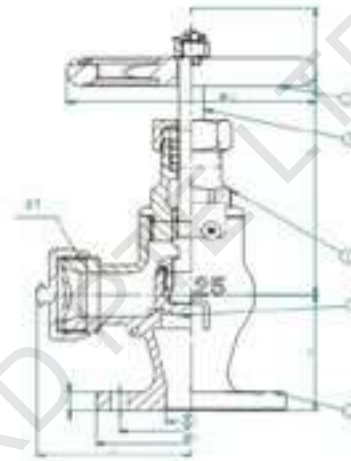
Size Table (15-40)

DN	d	L	D	C	NO.	h	t	H	D2	L1	d1
5K15	15	73	80	60	4	12	9	130	80	50	M42x2
10K15	15	73	95	70	4	15	12	130	80	55	M42x2
5K25	25	78	95	75	4	12	10	160	125	60	M42x2
10K25	25	83	125	90	4	19	14	160	125	65	M42x2
5K40	40	129	120	95	4	15	12	190	140	80	M52x2
10K40	40	134	140	105	4	19	16	190	140	90	M52x2



Size Table (50-65)

DN	d	L	D	C	NO.	h	t	H	D2	L1	d1
5K50	50	160	130	105	4	15	14	270	160	105	M64x2
10K50	50	165	155	120	4	19	16	285	160	110	M64x2
10K65	65	200	175	140	4	19	18	310	200	135	M80x2

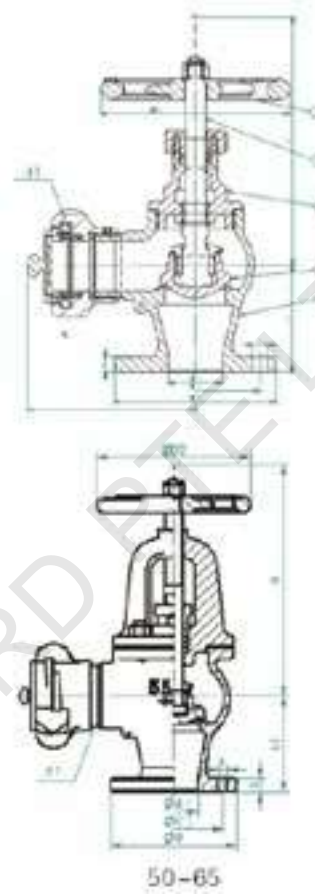


15-25

Materials Table(15-40)

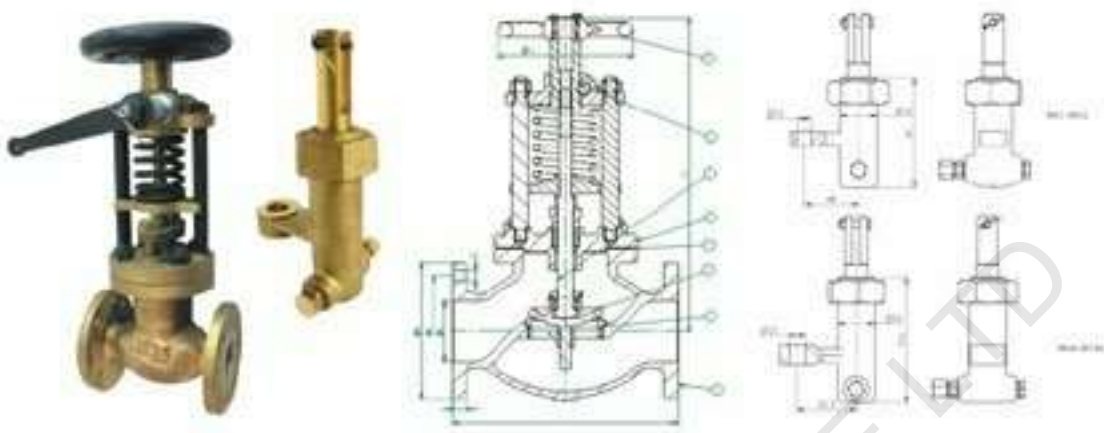
	NAME OF PART	MATERIAL
1	BODY	BC6
2	BONNET	BC6
3	DISC	BC6
4	STEM	C3771BD OR BE
5	HANDWHEEL	FC200

DN	d	L	D	C	NO.	h	t	H	D2	L1	d1
5K15	15	68	80	60	4	12	9	120	80	55	M42x2
10K15	15	73	95	70	4	15	12	120	80	70	M42x2
5K25	25	78	95	75	4	12	10	145	125	65	M42x2
10K25	25	83	125	90	4	19	14	145	125	85	M42x2
5K40	40	124	120	95	4	15	12	165	140	85	M52x2
10K40	40	124	140	105	4	19	16	165	140	100	M52x2



Size Table (50-65)

DN	d	L	D	C	NO.	h	t	H	D2	L1	d1
5K50	50	155	130	105	4	15	14	240	160	100	M64x2
10K50	50	160	155	120	4	19	16	255	160	120	M64x2
10K65	65	180	175	140	4	19	18	270	200	130	M80x2

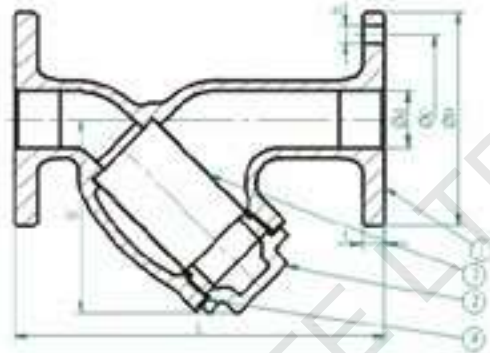


Materials Table

	NAME OF PART	MATERIAL
1	BODY	BC6
2	BONNET	BC6
3	DISC	BC6
4	VALVE SEAT	BC6
5	STEM	C3771BD OR BE
6	Operating spindle	SUS403
7	GASKET	non-asbestos
8	HANDWHEEL	FC200
9		

Size Table

DN	d	L	D	C	NO.	h	t	H	D2
5K15	25	120	80	60	4	12	9	268	120
5K20	25	120	85	65	4	12	10	268	120
5K25	25	120	95	75	4	12	10	268	120
5K40	40	160	120	95	4	15	12	302	140
5K50	50	210	130	105	4	15	14	316	140
5K65	65	250	155	130	4	15	14	391	180
5K80	80	280	180	145	4	19	18	416	180
10K15	25	130	95	70	4	15	12	268	120
10K20	25	130	100	75	4	15	14	268	120
10K25	25	130	125	90	4	19	14	268	120
10K40	40	170	140	105	4	19	16	302	140
10K50	50	220	155	120	4	19	16	316	140
10K65	65	270	175	140	4	19	18	391	180
10K80	80	300	185	150	8	19	18	416	180



Materials Table

	NAME OF PART	MATERIAL
1	BODY	BC6
2	BONNET	BC6
3	Strainer	SUS304
4	GASKET	non-asbestos

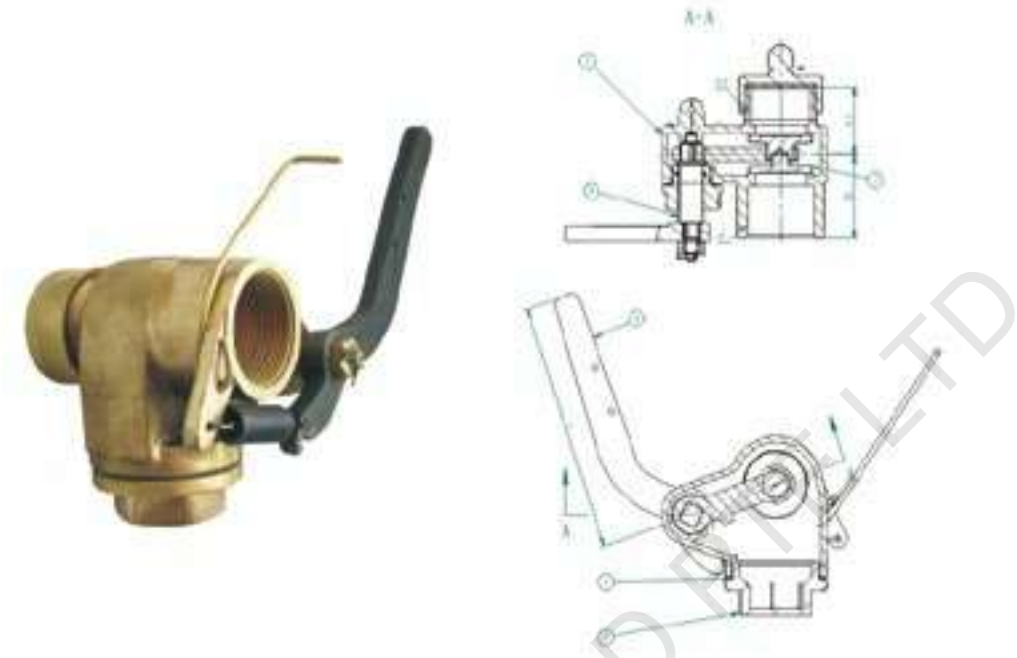
Size Table

DN	d	L	D	C	NO.	h	t	H
5K15	25	165	80	60	4	12	9	86
5K20	25	165	85	65	4	12	10	86
5K25	25	165	95	75	4	12	10	86
5K32	40	170	115	90	4	15	12	106
5K40	40	170	120	95	4	15	12	106
5K80	80	373	180	145	4	19	18	266

Size Table

DN	d	L	D	C	NO.	h	t	H
10K/16K15	25	165	95	70	4	12	12	86
10K/16K20	25	165	100	75	4	15	14	86
10K/16K25	25	165	125	90	4	19	14	86
10K/16K32	40	170	135	100	4	19	16	106
10K/16K40	40	170	140	105	4	19	16	106

JIS F 3019 Self-closing Gate Valve Heads for Sounding Pipe

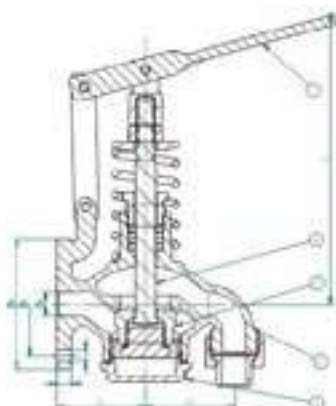


Materials Table

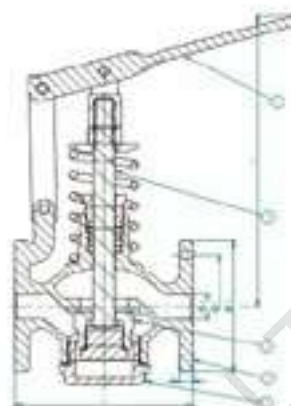
	NAME OF PART	MATERIAL
1	BODY	BC6
2	BONNET	BC6
3	DISC	BC6
4	STEM	C3771BD OR BE
5	GASKET	NBR
6	HANDWHEEL	BC6

Materials Table

DN	d	d4	H1	L
40	G1 1/2	G1 1/2	54	160
50	G2	G2	60	160



U型



F型

Materials Table

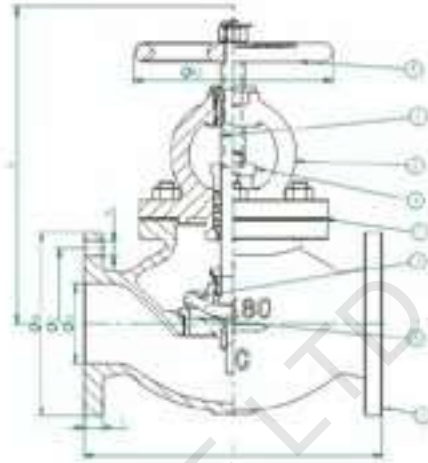
	NAME OF PART	MATERIAL
1	BODY	BC6
2	BONNET	BC6
3	DISC	BC6
4	STEM	C3371BD OR BE
5	HANDLE	SS400

Size Table (7398U Model)

DN	d	L	D	C	NO.	h	t	H	L1
5K15U	15	55	80	60	4	12	9	179	55
10K15U	15	55	95	70	4	15	12	179	55
5K20U	25	65	85	65	4	12	10	187	65
10K20U	25	65	100	75	4	15	14	187	65
5K25U	25	65	95	75	4	12	10	187	65
10K25U	25	65	125	90	4	19	14	187	65
5K40U	40	90	120	95	4	15	12	229	100
5K65U	65	135	155	130	4	15	14	252	160

Size Table (7398F Model)

DN	d	L	D	C	NO.	h	t	H
5K15F	15	110	80	60	4	12	9	179
5K20F	25	130	85	65	4	12	10	187
10K20F	25	130	100	75	4	15	14	187
5K40F	40	180	120	95	4	15	12	229



Materials Table

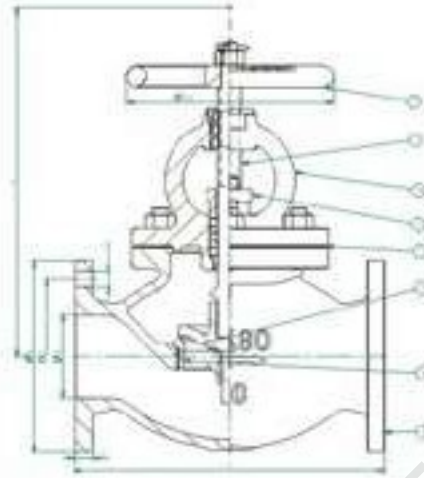
	NAME OF PART	MATERIAL	
		CLASS B	CLASS S
1	Body	SC450	
2	BONNET	SC450	
3	DISC	BC6	SCS2
4	VALVE SEAT	BC6	SCS2
5	STEM	C3771BD OH BE	SUS 403
6	packing gland	BC6	
7	GASKET	non-asbestos	
8	HANDWHEEL	FC200	

Size Table (7311)

DN	d	L	D	C	NO.	h	t	H	D2
50	50	210	130	105	4	15	14	255	160
65	65	250	155	130	4	15	14	290	180
80	80	280	180	145	4	19	14	301	180
100	100	340	200	165	8	19	16	345	224
125	125	410	235	200	8	19	16	390	250
150	150	480	265	230	8	19	18	445	280
200	200	570	320	280	8	23	20	530	315

Size Table (7319)

DN	d	L	D	C	NO.	h	t	H	D2
50	50	220	155	120	4	19	16	270	160
65	65	270	175	140	4	19	18	300	200
80	80	300	185	150	8	19	18	310	200
100	100	350	210	175	8	19	18	355	250
125	125	420	250	210	8	23	20	415	280
150	150	490	280	240	8	23	22	470	315
200	200	570	330	290	12	23	22	565	355



Materials Table

	NAME OF PART	MATERIAL
1	BODY	SC480
2	BONNET	SC480
3	DISC	SCS2
4	VALVE SEAT	SCS2
5	STEM	SUS 403
6	packing gland	BC6
7	GASKET	non-asbestos
8	HANDWHEEL	FC200

Size Table

DN	d	L	D	C	NO.	h	t	H	D2
50	50	220	155	120	4	19	16	264	160
65	65	270	175	140	4	19	18	294	200
80	80	300	185	150	8	19	18	299	200
100	100	350	210	175	8	19	18	344	250
125	125	420	250	210	8	23	20	409	280
150	150	490	280	240	8	23	22	455	315
200	200	570	330	290	12	23	22	530	355

JIS MARINE VALVE

F 7312 Cast Steel 5K angle valves
F 7320 Cast Steel 10K angle valves



Materials Table

	NAME OF PART	MATERIAL		CLASS B	CLASS S
		CLASS B	CLASS S		
1	Body	SC450			
2	BONNET	SC450			
3	DISC	BC6	SCS2		
4	VALVE SEAT	BC6	SCS2		
5	STEM	C3771BD OH BE	SUS 403		
6	packing gland	BC6			
7	GASKET	non-asbestos			
8	HANDWHEEL	FC200			

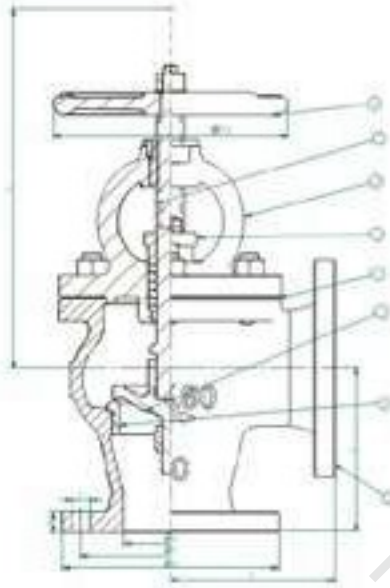
Size Table (7312)

DN	d	L	D	C	NO.	h	t	H	D2
50	50	100	130	105	4	15	14	225	160
65	65	115	155	130	4	15	14	247	180
80	80	130	180	145	4	19	14	256	180
100	100	150	200	165	8	19	16	295	224
125	125	170	235	200	8	19	16	330	250
150	150	190	265	230	8	19	18	380	280
200	200	220	320	280	8	23	20	450	315

Size Table (7320)

DN	d	L	D	C	NO.	h	t	H	D2
50	50	120	155	120	4	19	16	240	160
65	65	130	175	140	4	19	18	260	200
80	80	140	185	150	8	19	18	265	200
100	100	160	210	175	8	19	18	300	250
125	125	180	250	210	8	23	20	350	280
150	150	205	280	240	8	23	22	400	315
200	200	230	330	290	12	23	22	480	355

F 7472 Cast Steel 10K screw-down angle valves



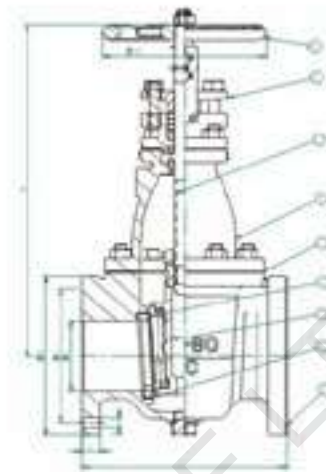
Materials Table

	NAME OF PART	MATERIAL
1	BODY	SC480
2	BONNET	SC480
3	DISC	SCS2
4	VALVE SEAT	SCS2
5	STEM	SUS 403
6	packing gland	BC6
7	GASKET	non-asbestos
8	HANDWHEEL	FC200

Size Table

DN	d	L	D	C	NO.	h	t	H	D2
50	50	120	155	120	4	19	16	235	160
65	65	130	175	140	4	19	18	250	200
80	80	140	185	150	8	19	18	255	200
100	100	160	210	175	8	19	18	290	250
125	125	180	250	210	8	23	20	340	280
150	150	205	280	240	8	23	22	385	315
200	200	230	330	290	12	23	22	460	355

JIS F 7366 Cast steel 10K gate valves



Materials Table

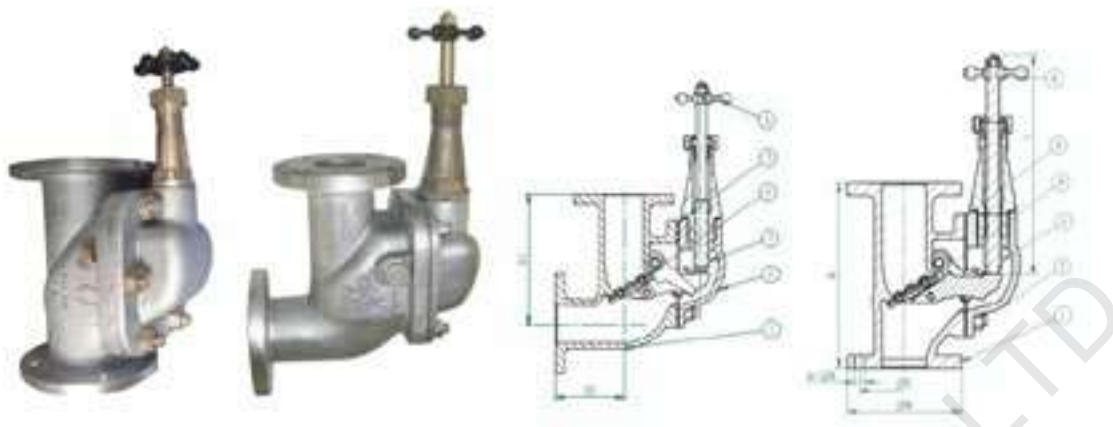
	NAME OF PART	MATERIAL	
		CLASS B	CLASS S
1	BODY	SC450	
2	BONNET	SC450	
3	VALVE SEAT	BC6	SCS2
4	VALVE SEAT	BC6	SCS2
5	STEM	C377IBD OH BE	SUS 403
6	packing gland	BC6	
7	GASKET	non-asbestos	
8	HANDWHEEL	FC200	
9	DISC	SC450	

Size Table

DN	d	L	D	C	NO.	h	t	H	D2
50	50	200	155	120	4	19	16	300	140
65	65	220	175	140	4	19	18	350	160
80	80	230	185	150	8	19	18	400	180
100	100	250	210	175	8	19	18	450	200
125	125	270	250	210	8	23	20	520	224
150	150	290	280	240	8	23	22	580	250
200	200	310	330	290	12	23	22	700	315
250	250	340	400	355	12	25	24	840	400
300	300	380	445	400	16	25	24	960	450

5K Series

DN	d	L	D	C	NO.	h	t	H	D2
50	50	180	130	105	4	15	14	285	125
65	65	190	155	130	4	15	14	330	140
80	80	200	180	145	4	19	14	380	160
100	100	230	200	165	8	19	16	430	180
125	125	250	235	200	8	19	16	495	200
150	150	270	265	230	8	19	18	560	224
200	200	290	320	280	8	23	20	680	280



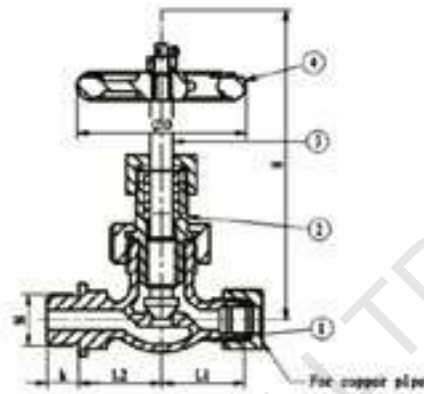
Materials Table

	NAME OF PART	MATERIAL
1	BODY	Sc42
2	BONNET	SC42
3	STEM	SS410/ BC6
4	GASKET	NBR
5	GASKET	NBR
6	HANDWHEEL	FC200

Size Table

DN	H	H1	H2	D	C	n-d	l
50	210	170	90	130	105	4-15	250
65	240	200	110	155	130	4-15	250
80	260	220	120	180	145	4-19	250
100	280	250	130	200	165	8-19	250
125	330	270	150	235	200	8-19	250
150	360	310	165	265	230	8-19	250

F 7388 Bronze 20K globe valves



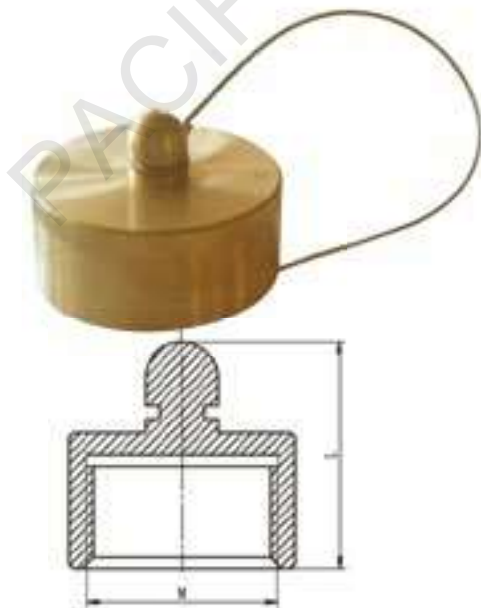
Materials Table

	NAME OF PART	MATERIAL
1	BODY	ZCuSn5Pb5Zn5
2	BONNET	ZCuSn5Pb5Zn5
3	Stem	HPb59-1
4	Handwheel	HT200

Size Table

AS BS	d	L	H	L1	H1	D2	I	D	C
PN10 DN200	200	600	621	275	543	360	68	340	295
PN10 DN250	250	730	721	325	623	450	80	395	350

JIS F3003 Sounding Cap



Materials Table

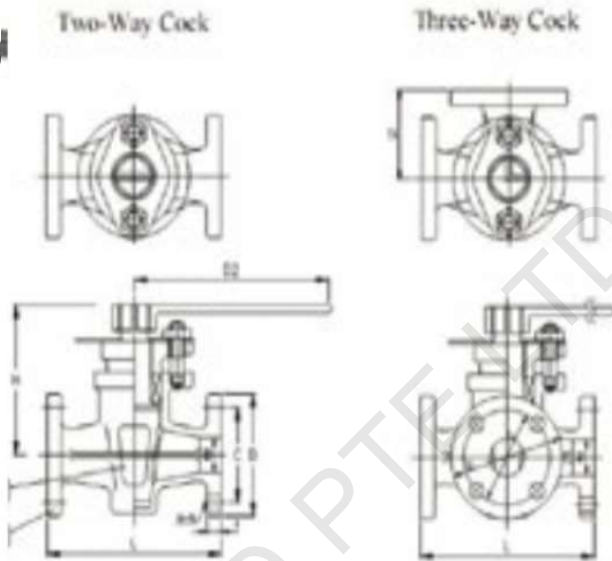
	NAME OF PART	MATERIAL
1	BODY	ZCuZn40Pb2

Size Table

DN	M	L
32	G1 1/4	50
40	G1 1/4	50
50	G2	50
65	G2 1/2	56
80	G3	56

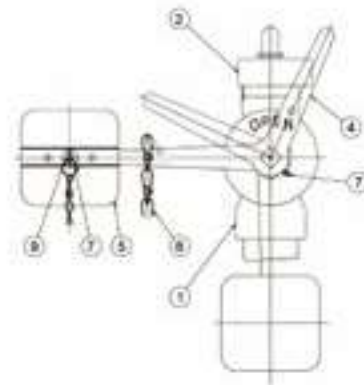
JIS MARINE VALVE

**F 7381 Marine Bronze Flanged Cock
CB/T 3778-1999 Survey Depth Installmenr Part**



Size Table (mm)

CODE												
Two-way	L-type	T-type	SIZE	L	L1	D	C	No.	h	t	H	
75 16 01	751606	751611	25	130	65	95	4	12	10	105	160	
75 16 02	751607	751612	32	160	80	115	4	15	12	125	180	
75 16 03	751608	751613	40	170	85	120	4	15	12	135	190	
75 16 04	751609	751614	50	190	95	130	4	15	14	163	200	
75 16 05	751610	751615	65	220	110	155	4	15	14	201	250	

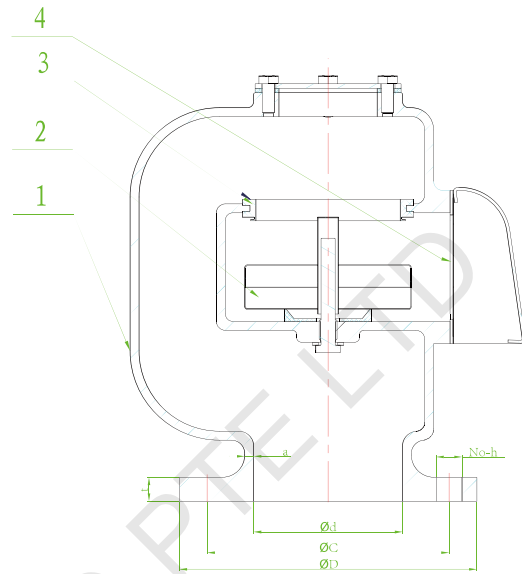


Size Table

Nominal Dia.	Body					
	d	d1	S	H	H1	R
40A	PF1-1/2	60	G1 1/4	G1 1/4	G1 1/4	G1 1/4
50A	PF2	70	G2	G2	G2	G2
65A	PF2-1/2	85	G2 1/2	G2 1/2	G2 1/2	G2 1/2
80A	PF2	100	G3	G3	G3	G3



Nikula Type Air Vent Head 53-ON



Materials Table

	NAME OF PART	MATERIAL
1	BODY	FC200
2	Float	SUS304
3	Packing	NBR
4	Strainer	SS400(SUS304)

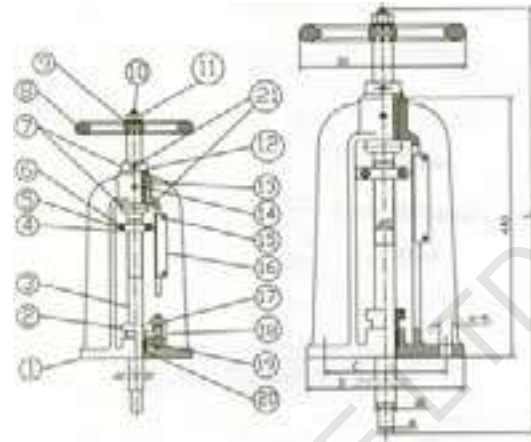
Size Table

DN	d	D	C	h	hole
50A	50	130	105	4	$\phi 15$
65A	65	155	130	4	$\phi 15$
80A	80	180	145	4	$\phi 19$
100A	100	200	165	8	$\phi 19$
125A	125	235	200	8	$\phi 19$
150A	150	265	230	8	$\phi 19$
200A	200	320	280	8	$\phi 23$

JIS MARINE VALVE

F 3024 Marine Deck Stand Device

F 3025 Marine Deck Stand Device



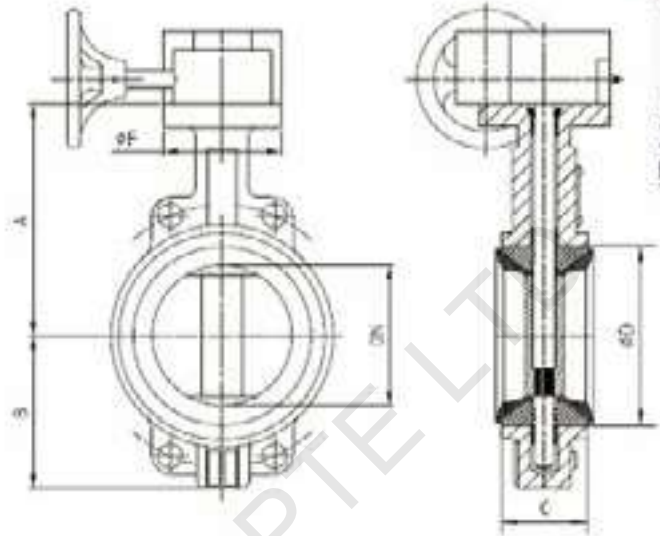
Materials Table

1	body	grey cast iron
2	lever	stainless steel
3	handwheel	grey cast iron

Size Table

DN	D	C	n-h	T	L	d	d1	d2	D1	weight kg
25	265	230	8- \square 23	22	840	25	34	M33X2	280	44
32	320	280	8- \square 23	24	854	32	40	M39X9	400	53
42	320	280	8- \square 23	24	861	42	46	M45X3	500	66

F 7480 Marine Butterfly Valve (Lever/Worm Gear)



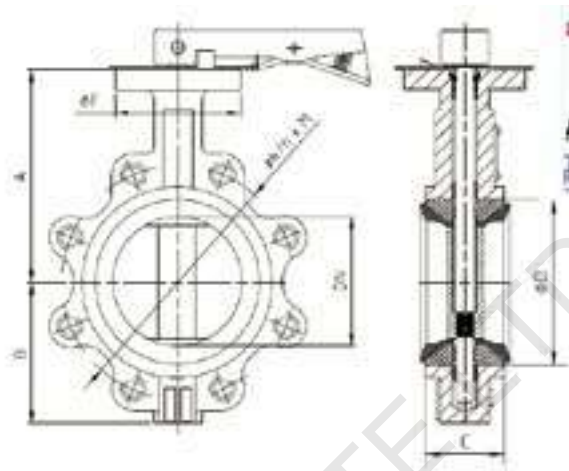
Materials Table

BODY	FC/FCD/CAST STEEL
DISC	SUS/BRONZE
SEAT	NBR
HANDWHELL/GEAR BOX	STELL/SUS

Size Table

DN	C	A	B	F	05K	K	nXd1	16K	K	nXd1	kg
50	43	124	80	90		105	4×15		120	4×19	11,8
65	46	134	89	90		130	4×15		140	4×19	12,2
80	46	141	95	90		145	4×19		150	8×19	12,7
100	52	156	114	90		165	8×19		175	8×19	15
125	56	168	127	90		200	8×19		210	8×23	16,1
150	56	184	140	90		230	8×19		240	8×23	18,1
200	60	213	175	125		280	8×23		290	12×23	23,4
250	68	244	220	125		345	12×23		355	12×25	20,5
300	78	283	255	150		390	12×23		400	16×25	36,2
350	78	368	288	175		435	12×25		445	16×25	67
400	102	400	299	175		495	16×25		510	16×27	99
450	114	422	318	175		555	16×25		565	20×27	123
500	127	479	349	210		605	20×25		620	20×27	149
600	154	532	410	210		715	20×27		730	24×33	266

Lug Type Butterfly Valves(Lever/Worm Gear)



Materials Table

BODY	FC/FCD/CAST STEEL
DISC	SUS/BRONZE
SEAT	NBR
HANDWHELL/GEAR BOX	STELL/SUS

Size Table

DN	C	A	B	F	05K	K	nXd1	16K	K	Nxd	kg
50	43	215	84	90	2	105	4×15	2	120	4×19	6,7
65	46	223	93	90		130	4×15		140	4×19	7,4
80	46	246	104	90		145	4×19		150	8×19	10,0
100	52	256	115	90		165	8×19		175	8×19	11,2
125	56	269	127	90		200	8×19		210	8×23	11,5
150	56	322	150	90		230	8×19		240	8×23	15,4
200	60	357	176	125		280	8×23		290	12×23	21,1
250	68	395	212	125		345	12×23		355	12×25	32,2
300	78	449	237	150		390	12×23		400	16×25	43,3
350	78	490	269	175		435	12×25		445	16×25	61,1
400	102	591	314	175		495	16×25		510	16×27	97,5
450	114	-	-	175		555	16×25		564	20×27	-
500	127	-	-	210		605	20×25		620	20×27	-
600	154	-	-	210		715	20×26		730	24×33	-

Pacific Standard Pte Ltd

SALES@PACIFICSTANDARD.COM.SG

TEL : +65-6681 9285

6 SIXTH LOK YANG ROAD S(628104)

SINGAPORE