

MONOFLANGES



I.T.E.
INDUSTRIAL TECHNICAL EQUIPMENT

INTRODUCTION



I.T.E. is an Italian company established in 1998 from the merge between 2 companies, one specialized in trading and one in machining activities, both operating in the Oil & Gas field since 1980. I.T.E. is one of the largest Italian and European manufacturers of valves and fittings for the installation of industrial instruments, mainly in O&G and Energy sectors, with a huge production of: **Needle Valves, Instrument Manifolds, Ball Valves, Pots & Siphons, Compression Fittings, Check Valves, Forged Globe Needle Valves, Adapters/Fittings, Fire Sensors, Sampling Systems, Protection Boxes.**

I.T.E. is specialized also on tailor-made solutions, on request complete packages can be provided to meet customer's needs.

I.T.E. is a flexible and customer oriented company, the manufacturing plant is equipped with different CNC machines, automatic welding machines and an automatic warehouse with different semi-finished standard products, this structure allows us to be reliable partner with a fast response to the customer needs.

I.T.E. products are 100% engineered, manufactured, assembled and tested in Italy, all the products have the traceability system so that we are able to provide the best assistance to customers also specially during maintenance activities providing the right product/component.



FAILURE, IMPROPER SELECTION OR IMPROPER USE OF THE PRODUCTS AND/OR SYSTEMS DESCRIBED HEREIN OR RELATED ITEMS CAN CAUSE DEATH, PERSONAL INJURY AND PROPERTY DAMAGE.

This document and other information from I.T.E. s.r.l., its authorized distributors provide product and/or system options for further investigation by users having technical expertise. It is important that you analyze all aspects of your application and review the information concerning the product or system in the current product catalog. Due to the variety of operating conditions and applications for these products or systems, the user, through its own analysis and testing, is solely responsible for making the final selection of the products and systems and assuring that all performance, safety and warning requirements of the application are met. The products described herein, including without limitation, product features, specifications, designs, availability and pricing, are subject to change by I.T.E. s.r.l. and its subsidiaries at any time without notice.

CONTENTS

FEATURES

PAGE 06

BONNET FEATURES

PAGE 07

CONNECTIONS

PAGE 09

MODEL CONFIGURATION

PAGE 10

M81 MODEL

PAGE 11

M82 MODEL

PAGE 12

M83 MODEL

PAGE 13

ACCESSORIES

PAGE 15



FEATURES

Across years of experience in instrumentation sector and increasing its know-how, today I.T.E. is able to offer a wide range of monoflanges and accessories for several application and sector. All products shown on this catalogue are available with integral compression ends (performance system improved, safety factors, reduction size and weight). Monoflanges are designed to replace conventional multiple-valve installation currently in use for interface with pressure measuring system. R&D dept. is constantly committed to refining and improving the quality of the products.

STANDARD FEATURES

PTFE and GRAPHOIL packing available for all types.

Bore size 5 mm.

ASME B16.5 flange connection.

OUT 1/2" NPT-F / DRAIN 1/4" NPT-F

Wetted parts according to **NACE MR.0175/MR.0103** as standard.

Shell test and seat leakage test are performed according to **API 598** and **ASME B16.34** (1.5 of max rating pressure).

Certificate 3.1 certificate according to EN 10 204 on valve body material.

Monoflanges are not supplied with plugs.

SPECIAL FEATURES

API Flange connections (up to 10.000 PSI)

EN 1092-1 Flange connections

Integral swivel gauge connections

NOTE

Due to internal bore size and internal volumes up to and including 1"-inch/25mm, products offered in this catalog comply with S.E.P. (Sound Engineering Practice) article 3, paragraph 3 of the Pressure Equipment Directive P.E.D. 97/23/EC and therefore CE marking is not applicable.

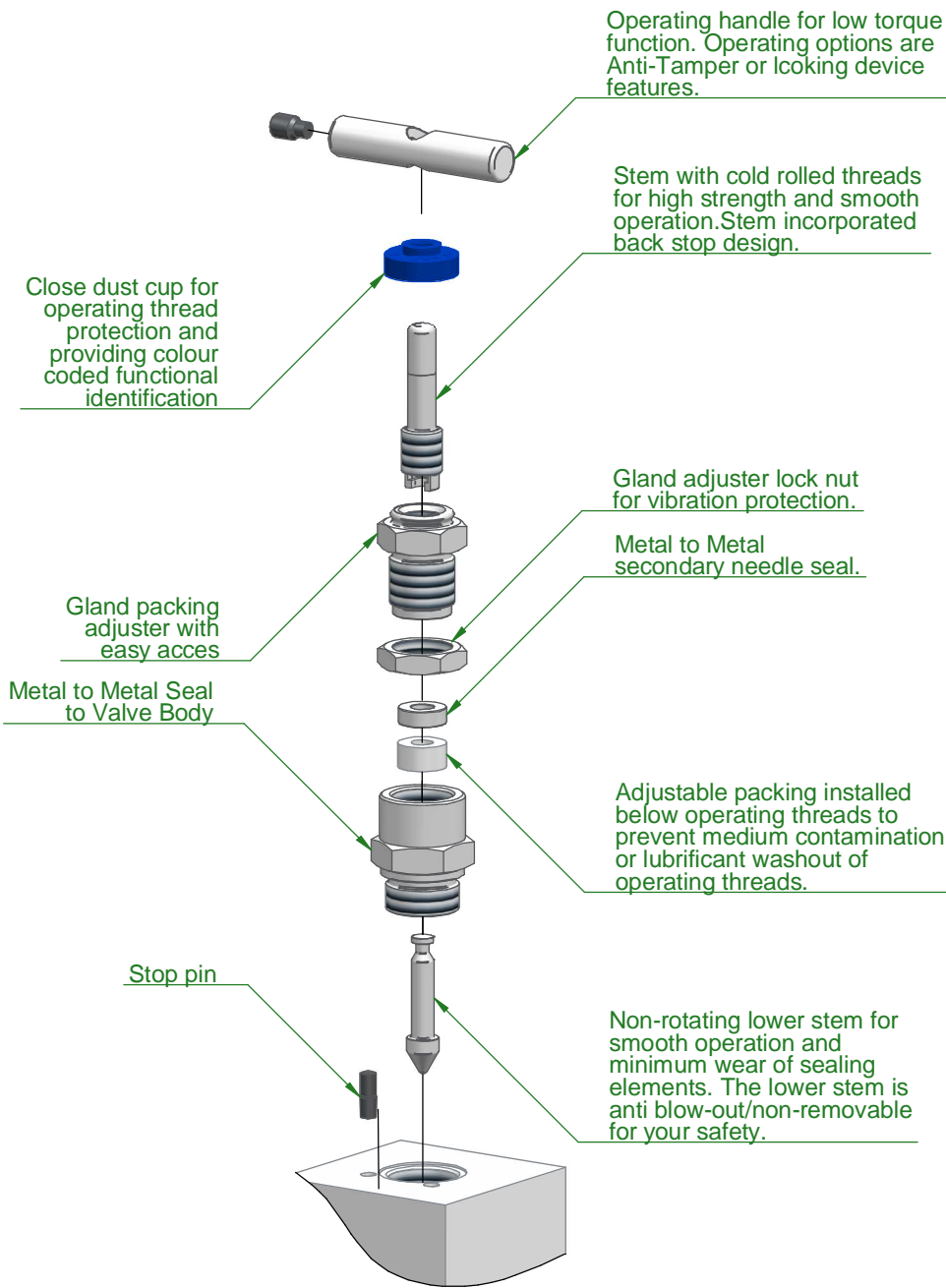
MATERIAL

MATERIAL GROUP	I.T.E. DESIGNATION	ASTM	UNS	AVAILABILITY ON STOCK
Stainless Steel	316/316L	316/316L	S31600	YES
	6Mo		N08367	ON REQUEST
Ferritic Stainless Steel	Duplex	F51	S31803	YES
	Superduplex	F55	S32750	YES
Carbon Steel	LF2	LF2		ON REQUEST
	A105	A105		ON REQUEST
Alloy	Alloy 400		N04400	YES
	Alloy C276		N10276	ON REQUEST
	Alloy 625		N06625	ON REQUEST
	Alloy 825		N08825	ON REQUEST
Titanium	Ti Gr.2		R50400	ON REQUEST



Screwed Bonnet is specifically designed for operation with any fluid up to 10.000 PSI rating. Complete with self centering non rotational tip, it guarantees total sealing efficiency during service operations. In addition to standard version, I.T.E. provides variants with locking system or anti-tamper configuration.

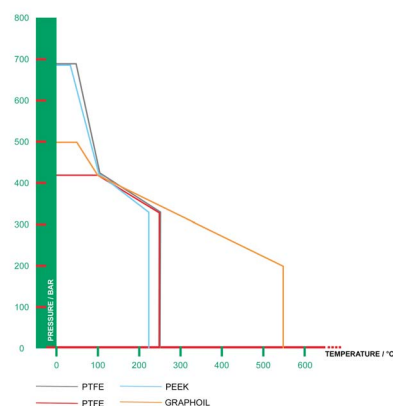
BONNET FEATURES



SPECIFICATION

- Maximum standard pressure up to 6.000 psig (414 barg).
- Maximum optional pressure up to 10.000 psig (689 barg).
- Temperature range -54°C to +530°C.
- PTFE standard gland packing (Graphoil optional).
- Max. temperature PTFE 260°C.
- Max. temperature Graphoil 530°C.
- Low operating torque.
- Packing below threads to prevent lubricant washout.

PRESSURE - TEMPERATURE



OPTIONAL CONFIGURATION



COLOR CODED DUST CAP



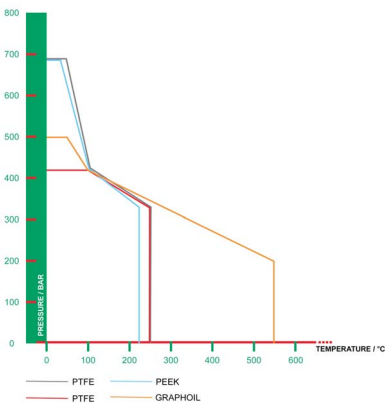
BONNET FEATURES

Outside Screw & Yoke bolted Bonnet (O.S.&Y.) is specifically designed for operation with any fluid up to 10.000 PSI rating. Complete with standard self centering non rotational tip, it guarantees total sealing efficiency during service operations. In addition to standard version, I.T.E. provides variants with locking system or anti-tamper configuration.

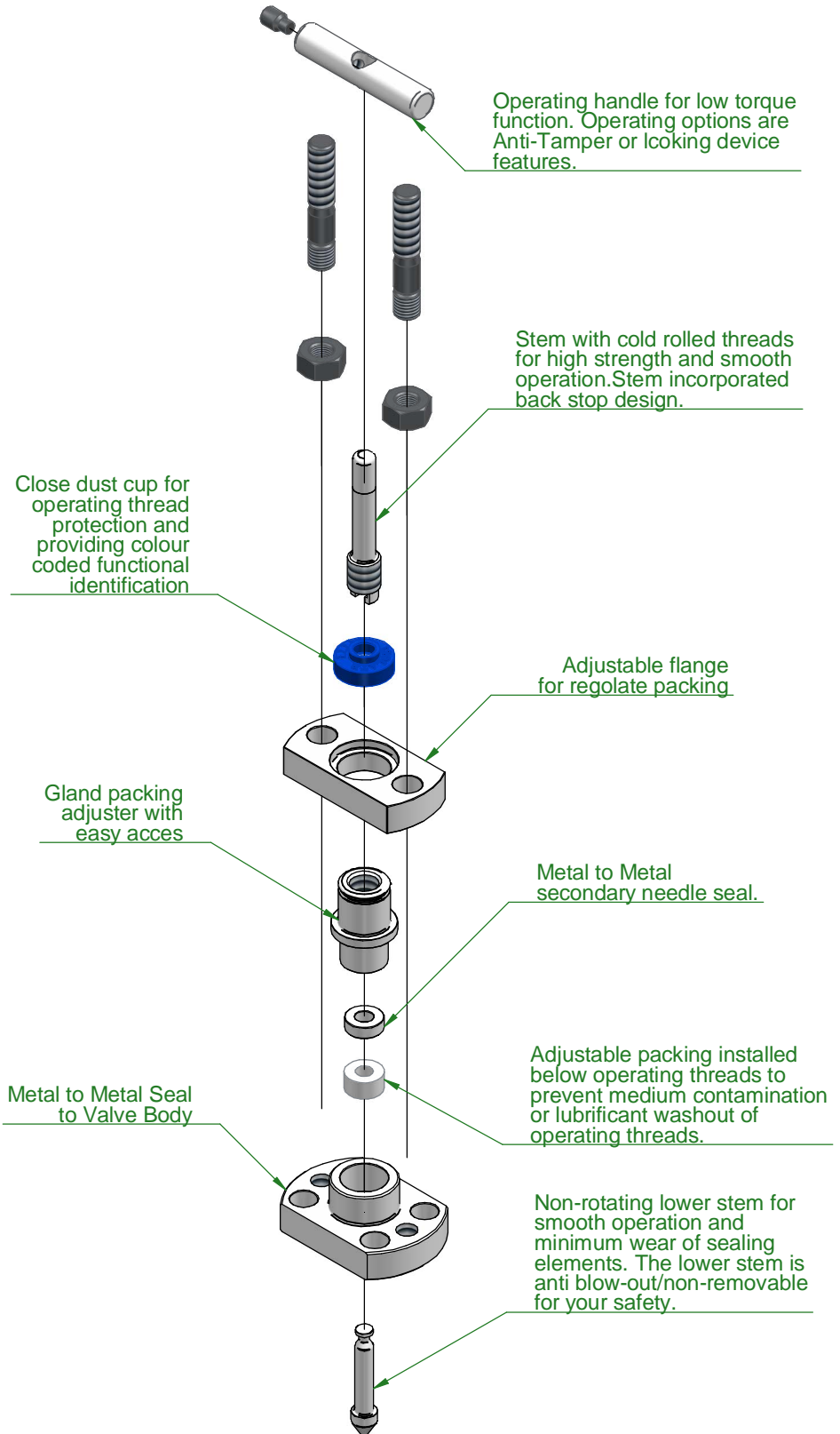
SPECIFICATION

- Maximum standard pressure up to 6.000 psig (414 barg).
- Maximum optional pressure up to 10.000 psig (689 barg).
- Temperature range -54°C to +530°C.
- PTFE standard gland packing (Graphoil optional).
- Max. temperature PTFE 260°C.
- Max. temperature Graphoil 530°C.
- Low operating torque.
- Packing below threads to prevent lubricant washout.

PRESSURE - TEMPERATURE



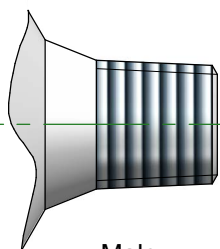
COLOR CODED DUST CAP



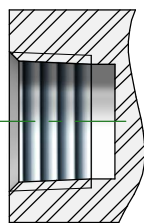
CONNECTIONS

I.T.E. manufactures a lot of different connections and combinations. Below are some of the most used. If you don't find your option please contact us.

TAPERED PIPE THREADS



Male

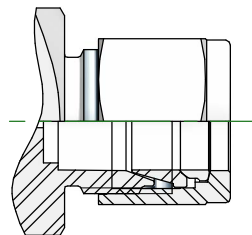


Female

NPT threads acc. to.
ASME B 1.20.1

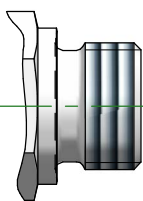
BSPT threads acc. to.
ISO 7/1

TWIN FERRULE TUBE FITTINGS

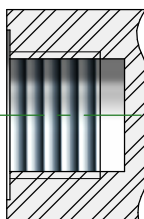


The direct pipe connection is available in both metric and inch sizes.
All components are made by I.T.E. s.r.l.

PARALLEL PIPE THREADS (1) (2)



Male

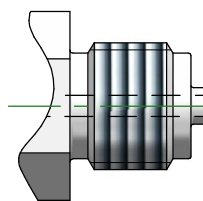


Female

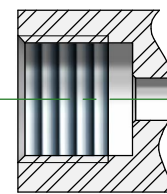
BSPP threads acc. to.
ISO 228-1
ISO 1179-1

Metric threads acc. to.
ISO 261

PARALLEL PIPE THREADS - GAUGE CONN. (1)



Male

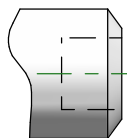


Female

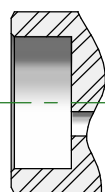
G Threads acc. to.
ISO 228-1
EN 837-1

Metric threads acc. to.
ISO 261

WELD ENDS



Male



Female

Butt weld (male)
acc. to.
ASME B16.9

Socket Weld
(female)
acc. to. ASME
B16.11

NOTE

(1) Cylindrical connection for fittings hydraulic or gas applications. The seal between male and female is made by metal to metal contact between two parallel surfaces.

(2) Pressure connection for use with pressure gauges. The end can be fixed or rotatable according to the needs of use. The seal is carried out by means of a flat gasket placed at the bottom of the female thread.

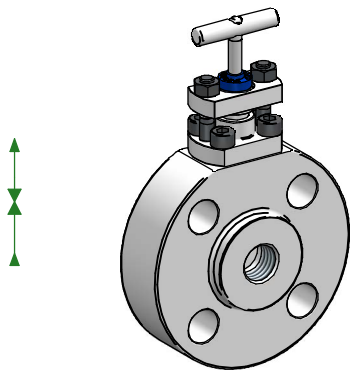
Size from 1/8" to 1"
Metric size: M20 x 1.5



MONOFLANGE CONFIGURATION

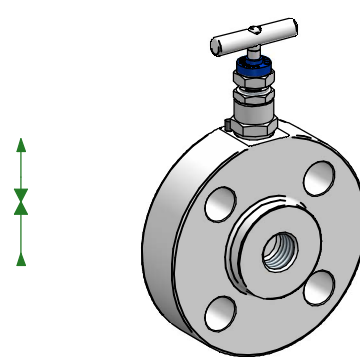
Monoflange is designed to replace conventional multiple-valve installations currently in use for interface with pressure measuring systems, combining customer's specified valves into a single manifold. Above solution provides reduced leakage path numbers together with a lowered system mass reduction of stress and vibration. Various flow and valve configurations available as well as a variety of flange sizes and outlet connections.

M81 - SINGLE BLOCK - PRIMARY ISOLATE O.S.&Y.



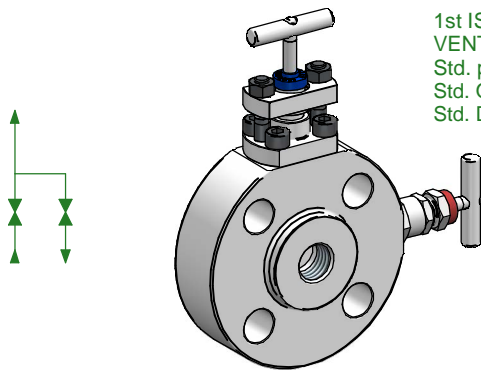
1st ISOLATE: O.S.&Y.
Std. packing: GRAPHOIL
Std. OUT: 1/2" NPT-F

M81 - SINGLE BLOCK - PRIMARY ISOLATE NEEDLE



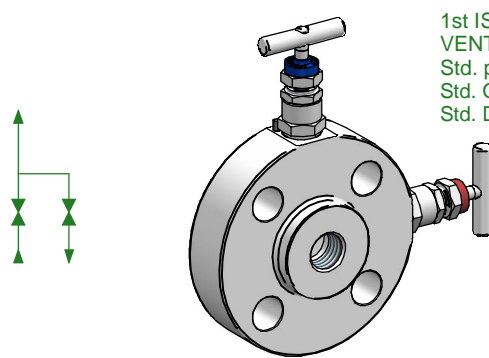
1st ISOLATE: NEEDLE
Std. packing: GRAPHOIL
Std. OUT: 1/2" NPT-F

M82 - BLOCK/BLEED - PRIMARY ISOLATE O.S.&Y.



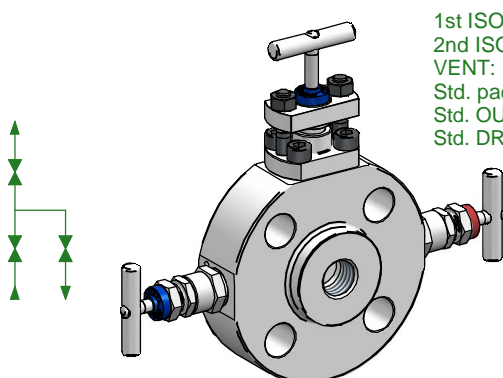
1st ISOLATE: O.S.&Y.
VENT: NEEDLE
Std. packing: GRAPHOIL
Std. OUT: 1/2" NPT-F
Std. DRAIN: 1/4" NPT-F

M82 - BLOCK/BLEED - PRIMARY ISOLATE NEEDLE



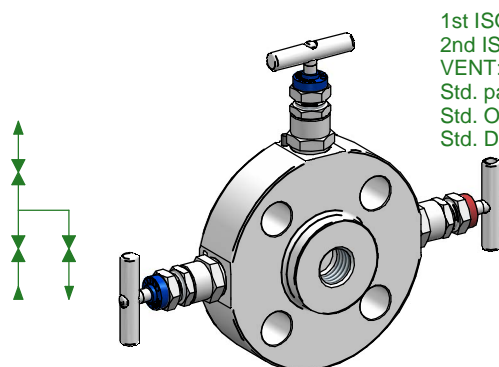
1st ISOLATE: NEEDLE
VENT: NEEDLE
Std. packing: GRAPHOIL
Std. OUT: 1/2" NPT-F
Std. DRAIN: 1/4" NPT-F

M83 - DOUBLE BLOCK & BLEED - PR. ISOLATE O.S.&Y.



1st ISOLATE: O.S.&Y.
2nd ISOLATE: NEEDLE
VENT: NEEDLE
Std. packing: GRAPHOIL
Std. OUT: 1/2" NPT-F
Std. DRAIN: 1/4" NPT-F

M83 - DOUBLE BLOCK & BLEED - PR. ISOLATE NEEDLE

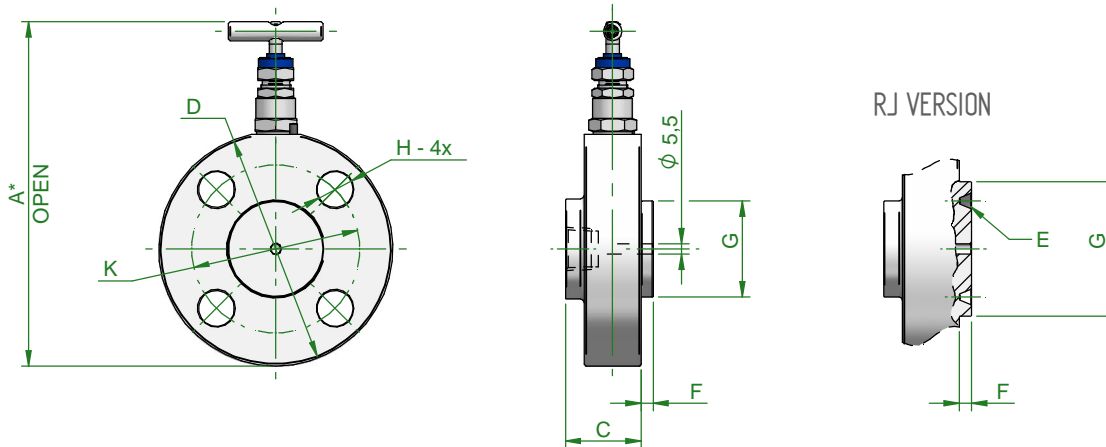


1st ISOLATE: NEEDLE
2nd ISOLATE: NEEDLE
VENT: NEEDLE
Std. packing: GRAPHOIL
Std. OUT: 1/2" NPT-F
Std. DRAIN: 1/4" NPT-F



M81 MODEL

Block monoflange valve manifold with flanged inlet and threaded outlet connection. Complete with standard GRAPHOIL gland packing and self centering non rotational tip, it guarantees total sealing efficiency during service operations. *We are showing on this page just the standard types.*



STANDARD MODEL: TYPES, DIMENSIONS, WEIGHTS

1st ISOLATE	DN FLG	IN	RATING	OUT	DRAIN	WEIGHT***	A	B	C	D	K	H	F	G	E				
TEE BAR	1/2" (DN 15)	RF	150	1/2" NPT-F	-	1,5 Kg	147	-	40	88,9	60,3	15,9	1,6	35	-				
			300			1,6 Kg	154			95,2	66,7								
			600			1,7 Kg													
		3/4" (DN 20)	RF			900	2,3 Kg			181	120,6	82,5	22,2	6,4	60,3	R12			
						1500	3,3 Kg			193	133,3	88,9							
						2500	1,9 Kg			156	96,4	69,8		15,9	1,6	42,9	-		
	RJ		900			2,7 Kg	176			117,5	82,5	19	6,4	66,7				R14	
			1500			3,4 Kg	189			130,2	88,9	22,2							
			2500			3,9 Kg	199			41,7	139,7	95,2			15,9	1,6	73		R16
	1" (DN 25)	RF	150			2,4 Kg	166			107,9	79,4	19	6,4	50,8				-	
			300			3 Kg	183			123,8	88,9								
			600			3,1 Kg	208			149,2	101,6		25,4	6,4	71,4	R16			
		RJ	900			4,2 Kg	218		44	158,7	107,9	15,9	1,6				82,5	R18	
			1500			3,3 Kg	186		127	98,4									
			2500			4,7 Kg	215		40	155,6	114,3			22,4	6,4	92,1			R20
	1"-1/2" (DN 40)	RF	900			6,4 Kg	238		41,7	177,8	123,8	28,6	7,9	114,3			R23		
			1500			11,2 Kg	263		49,4	203,2	146	31,7							
			2500			4,7 Kg	212		40	152,4	120,6	19			1,6	92			
		RJ	150			5,3 Kg	200		48,1	215,9	165,1		127	7,9			123,8	R24	
			300**			11,4 Kg	244		55,8	234,9	171,4		28,6						
			600**			16,7 Kg	261												
	2" (DN 50)	RF	900**																
			1500**																
		RJ	2500**																

I.T.E. s.r.l. COMMITS ITSELF TO CONSTANTLY IMPROVE ITS PRODUCTS AND THEREFORE IT RESERVES THE RIGHT TO MODIFY DATA, FEATURES WITHOUT NOTICE.

*In models with primary isolate O.S. & Y. dimension "A" increases by approximately 14mm

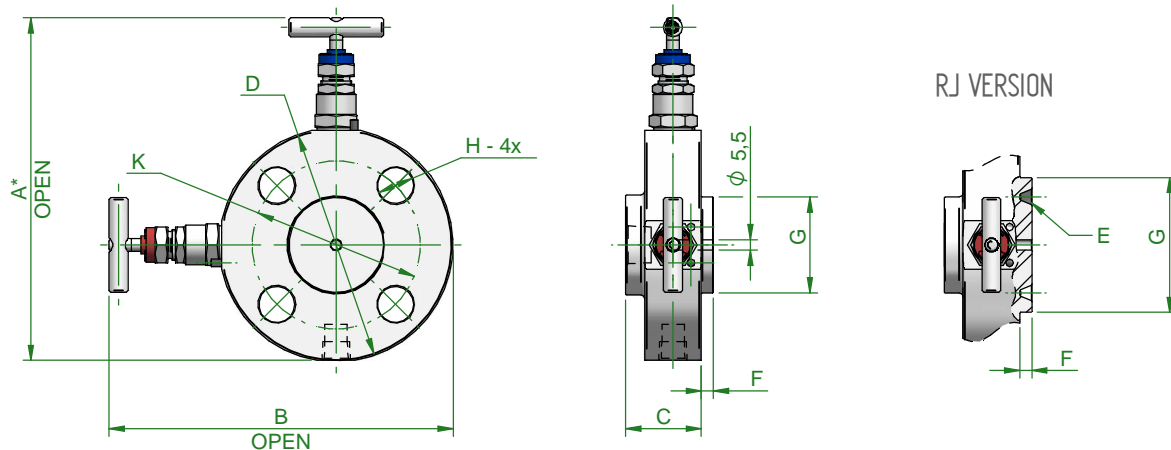
**In the models marked the number of holes "H" is 8x

***Weights are theoretical and based on AISI 316 material



M82 MODEL

Block & Bleed monoflange valve manifold with flanged inlet and threaded outlet connection. Complete with standard GRAPHOIL gland packing and self centering non rotational tip, it guarantees total sealing efficiency during service operations. *We are showing on this page just the standard types.*



STANDARD MODEL: TYPES, DIMENSIONS, WEIGHTS

1st ISOLATE	DN FLG	IN	RATING	OUT	DRAIN	WEIGHT***	A	B	C	D	K	H	F	G	E				
TEE BAR	1/2" (DN 15)	RF	150	1/2" NPT-F	1/4" NPT-F	1,6 Kg	146	147	40	88,9	60,3	15,9	1,6	35	-				
			300			1,7 Kg	153	154		95,2	66,7								
			600			1,8 Kg	153	154		95,2	66,7								
		3/4" (DN 20)	RF			900	1/2" NPT-F	1/4" NPT-F		2,4 Kg	180	181	40	120,6	82,5	22,2	6,4	60,3	R12
						1500				3,4 Kg	192	193		133,3	88,9				
						2500				2 Kg	155	156		96,4	69,8				
	1" (DN 25)		RF	150	1/2" NPT-F	1/4" NPT-F			2,8 Kg	175	176	40		117,5	82,5	19	1,6	42,9	-
				300					3,3 Kg	188	189			130,2	88,9				
				600					4 Kg	198	199			139,7	95,2				
		1"-1/2" (DN 40)	RF	900			1/2" NPT-F	1/4" NPT-F	2,5 Kg	165	166		40	107,9	79,4	15,9	1,6	50,8	-
				1500					3,1 Kg	182	183			123,8	88,9				
				2500					3,2 Kg	182	183			123,8	88,9				
	2" (DN 50)		RF	150	1/2" NPT-F	1/4" NPT-F			4,3 Kg	207	208	40		149,2	101,6	25,4	6,4	71,4	R16
				300					5,6 Kg	217	218			158,7	107,9				
				600					3,4 Kg	185	186			127	98,4				
		2" (DN 50)	RF	900			1/2" NPT-F	1/4" NPT-F	4,9 Kg	214	215		40	155,6	114,3	22,4	1,6	73	-
				1500					6,5 Kg	237	238			177,8	123,8				
				2500					11,3 Kg	262	263			203,2	146				
	2" (DN 50)		RF	150	1/2" NPT-F	1/4" NPT-F			4,8 Kg	211	212	40		152,4	120,6	19	1,6	92	-
				300**					5,4 Kg	224	200			165,1	127				
				600**					11,5 Kg	275	244			215,9	165,1				
		2" (DN 50)	RF	900**			1/2" NPT-F	1/4" NPT-F	11,3 Kg	262	263		40	203,2	146	31,7	7,9	114,3	R23
				1500**					4,8 Kg	211	212			152,4	120,6				
				2500**					5,4 Kg	224	200			165,1	127				
2" (DN 50)	RF		150	1/2" NPT-F	1/4" NPT-F	11,5 Kg			275	244	40	215,9		165,1	25,4	7,9	123,8	R24	
			300**			16,8 Kg			295	261		234,9		171,4					
			600**			16,8 Kg			295	261		234,9		171,4					

I.T.E. s.r.l. COMMITS ITSELF TO CONSTANTLY IMPROVE ITS PRODUCTS AND THEREFORE IT RESERVES THE RIGHT TO MODIFY DATA, FEATURES WITHOUT NOTICE.

*In models with primary isolate O.S. & Y. dimension "A" increases by approximately 14mm

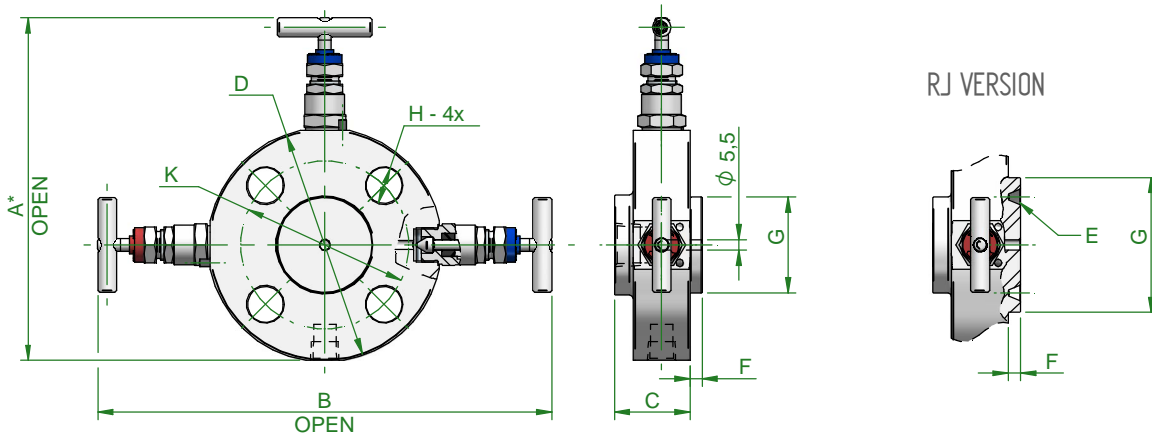
**In the models marked the number of holes "H" is 8x

***Weights are theoretical and based on AISI 316 material



M83 MODEL

Double Block & Bleed monoflange valve manifold with flanged inlet and threaded outlet connection. Complete with standard GRAPHOIL gland packing and self centering non rotational tip, it guarantees total sealing efficiency during service operations. *We are showing on this page just the standard types.*



STANDARD MODEL: TYPES, DIMENSIONS, WEIGHTS

1st ISOLATE	DN FLG	IN	RATING	OUT	DRAIN	WEIGHT***	A	B	C	D	K	H	F	G	E	
TEE BAR	1/2" (DN 15)	RF	150	1/2" NPT-F	1/4" NPT-F	1,7 Kg	146	205	40	88,9	60,3	15,9	1,6	35	-	
			300			153	212	95,2		66,7						
			600			180	238	120,6		82,5	22,2		6,4	60,3	R12	
		RJ	900			192	251	133,3		88,9	15,9	6,4	65,1	R13		
			1500			155	215	96,4		69,8						
			2500			175	235	117,5		82,5		19	1,6	42,9	-	
	3/4" (DN 20)	RF	150	1/2" NPT-F	1/4" NPT-F	2,8 Kg	175	235	40	130,2	88,9	22,2	6,4	66,7	R14	
			300			188	248	139,7		95,2						
			600			198	258	107,9		79,4	15,9		1,6	73	R16	
		RJ	900			165	225	123,8		88,9	19	6,4	71,4	R16		
			1500			182	241	149,2		101,6					25,4	82,5
			2500			207	268	158,7		107,9		15,9	6,4	92,1	R20	
	150	217	276	127	98,4	1,6	73	-								
	1"-1/2" (DN 40)	RF	300	1/2" NPT-F	1/4" NPT-F	4,8 Kg	214	274	40	155,6	114,3		22,4	6,4	92,1	R20
			600			237	297	177,8		123,8	28,6	92,1				
			900			262	322	203,2		146	31,7	7,9		114,3	R23	
		RJ	1500			211	270	152,4		120,6	19	6,4	92	-		
			2500			224	235	165,1		127					1,6	73
			150			224	235	165,1		127		1,6	73	-		
	2" (DN 50)	RF	300**	1/2" NPT-F	1/4" NPT-F	5,4 Kg	224	235	40	165,1	127	19	6,4	92	-	
			600**			11,3 Kg	262	322		203,2	146					31,7
			900**			4,8 Kg	211	270		152,4	120,6		19	6,4	92	-
		1500**	5,4 Kg			224	235	165,1		127	1,6	73				
		2500**	11,5 Kg			275	271	215,9		165,1	25,4	7,9		123,8	R24	
150		16,8 Kg	295			284	55,8	234,9		171,4	28,6	133,3	R26			

I.T.E. s.r.l. COMMITS ITSELF TO CONSTANTLY IMPROVE ITS PRODUCTS AND THEREFORE IT RESERVES THE RIGHT TO MODIFY DATA, FEATURES WITHOUT NOTICE.

*In models with primary isolate O.S. & Y. dimension "A" increases by approximately 14mm

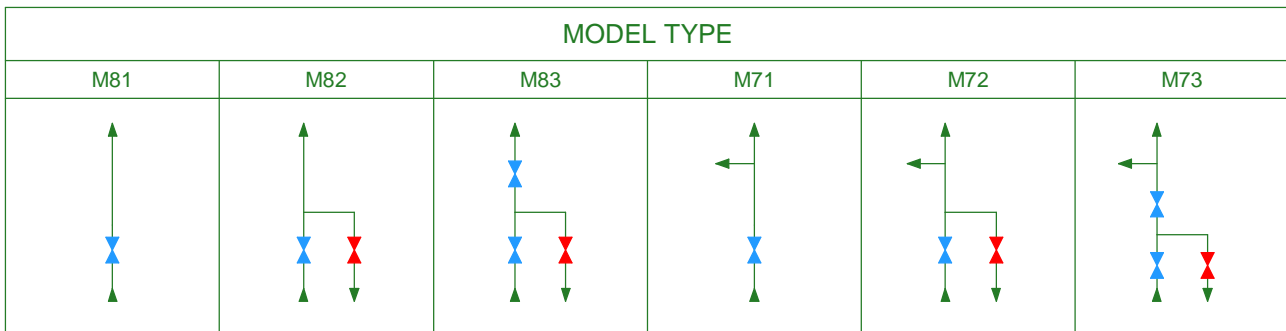
**In the models marked the number of holes "H" is 8x

***Weights are theoretical and based on AISI 316 material



MONOFLANGE (ASME SERIES) - HOW TO ORDER

MODEL TYPE



M 8 2 R F - 1 6 0 6 8 K 4 S

MODEL

M81 Needle single block
M82 Needle block/bleed
M83 Needle block/bleed/block
...

FACE FINISH

RF Raised face (Smooth finish)
RJ Ring Joint

PRIMARY ISOLATE

Screw ed bonnet
Y Outside Screw & Yoke bolted bonnet

DN FLANGE

8 1/2" (DN 15) 24 1-1/2" (DN 40)
12 3/4" (DN 20) 32 2" (DN 50)
16 1" (DN 25)

CLASS

01 Ansi 150 09 Ansi 900
03 Ansi 300 15 Ansi 1500
06 Ansi 600 25 Ansi 2500

OUT

8 1/2"
12 3/4"
X Wafer style (I/O same flange)

THREAD

N NPT R BSPP GAS (EN 837-1) - Gauge connection
K BSPT R/Rc (ISO 7) M Metric (similar EN 837-)
O Tube connection F Flanged (only "X" selection)

DRAIN

/
4 1/4" NPT
8 1/2" NPT

MATERIAL

S Aisi 316L F Alloy 400
A A105 G Alloy C276
D Duplex F51 H 6 Mo/F44
E Super Duplex F55 I Alloy 625

OPTIONS

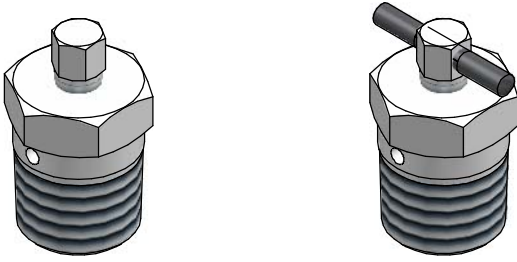
B All component 316L TI Isolate Anti-tamper
C Special testing K Padlock for all anti tamper bonnet
L Lox cleaning T Mounted plug drain
TD Vent Anti-tamper TT All bonnet Anti-tamper

Attention - Above guideline show s all possible product configuration. Tailor-made solutions must be evaluated and approved by ITE technical dept before accepting and processing your order

FOR API OR EN FLANGE MODEL, PLEASE CONTACT ITE SALES OFFICE

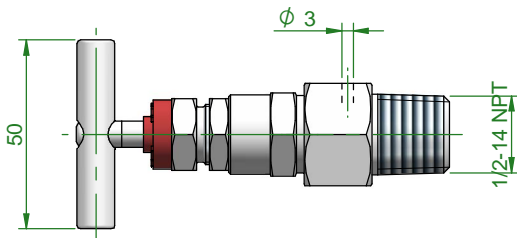


VBP / VBPT - VENT VALVE

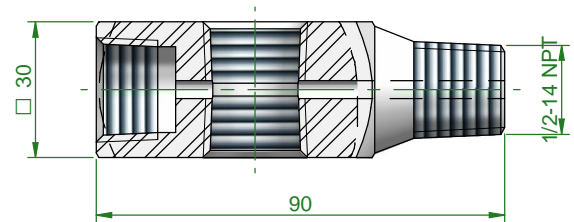


ACCESSORIES

VBV - ADJUSTABLE VENT VALVE



VBT - BAR STOCK BLEED TEE



HOW TO ORDER

V B V - 0 6 S T 4

MODEL

VBV Bar stock bleed TEE
 VBV Adjustable VENT valve
 VBPT Vent valve
 VBV Vent valve

RATING

06 Series 6.000 PSI
 10 Series 10.000 PSI

MATERIAL

S	Aisi 316L	F	Alloy 400
A	A105	G	Alloy C276
D	Duplex F51	H	6 Mo/F44
E	Superduplex F55	I	Alloy 625

PACKING (VBV ONLY)

T PTFE
 G Graphoil

CONNECTIONS

4 1/4"
 6 3/8"
 8 1/2"

THREAD

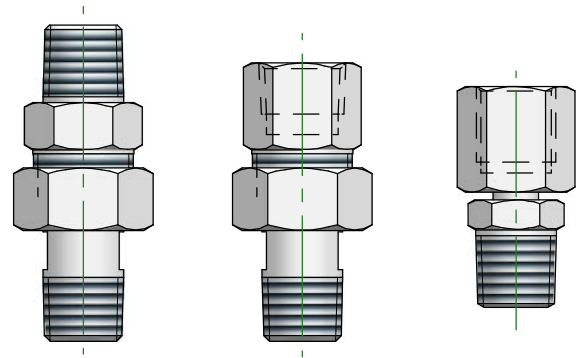
/ NPT
 K BSPT R/RC (ISO 7)
 I BSPP GAS (ISO 1179)
 R BSPP GAS (EN 837-1) - Gauge connection

Attention - Above guideline show s all possible product configuration. Tailor-made solutions must be evaluated and approved by ITE technical dept before accepting and processing your



ACCESSORIES

SGA/SGC - SWIVEL ADAPTER



HOW TO ORDER

S G A - 2 0 M F 8 G M - 0 6 S

MODEL

SGA SWIVEL GAUGE ADAPTER - SCREWED

SGC SWIVEL GAUGE ADAPTER - WELDED

INLET DIMENSION

4	1/4" NPT	4G	1/4" BSPP (G)*
8	1/2" NPT	8G	1/2" BSPP (G)*
12	3/4" NPT	4K	1/4" BSPT***
16	1" NPT	8K	1/2" BSPT***
20M	M20x1,5 *		
4I	1/4" BSPP (G)**		
6I	3/8" BSPP (G)**		
8I	1/2" BSPP (G)**		

CONNECTION

F FEMALE
M MALE

OUTLET DIMENSION

4	1/4" NPT	4G	1/4" BSPP (G)*
8	1/2" NPT	8G	1/2" BSPP (G)*
12	3/4" NPT	4K	1/4" BSPT***
16	1" NPT	8K	1/2" BSPT***
20M	M20x1,5 *		
4I	1/4" BSPP (G)**		
6I	3/8" BSPP (G)**		
8I	1/2" BSPP (G)**		

CONNECTION

F FEMALE
M MALE

RATING (SGA ONLY)

06 6,000 PSI
10 10,000 PSI

MATERIAL

S	Aisi 316L	F	Alloy 400
A	A105	G	Alloy C276
D	Duplex F51	H	6 Mo/F44
E	Super Duplex F55	I	Alloy 625

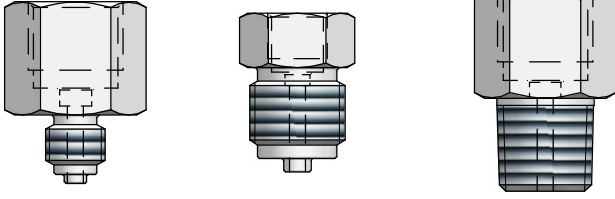
* EN 837-1 DESIGN

** ISO 1179 DESIGN ("MA" ONLY)

*** ISO 7/1

Attention - Above guideline show s all possible product configuration. Tailor-made solutions must be evaluated and approved by ITE technical dept before accepting and processing your order





HOW TO ORDER

			G	A	-	8	G	M	8	G	F	-	0	6	S
MODEL															
GA GAUGE ADAPTER															
INLET DIMENSION															
4	1/4" NPT	4G	1/4" BSPP (G)*												
8	1/2" NPT	8G	1/2" BSPP (G)*												
12	3/4" NPT	4K	1/4" BSPT***												
16	1" NPT	8K	1/2" BSPT***												
20M	M20x1,5 *														
4I	1/4" BSPP (G)**														
6I	3/8" BSPP (G)**														
8I	1/2" BSPP (G)**														
CONNECTION															
F FEMALE															
M MALE															
OUTLET DIMENSION															
4	1/4" NPT	4G	1/4" BSPP (G)*												
8	1/2" NPT	8G	1/2" BSPP (G)*												
12	3/4" NPT	4K	1/4" BSPT***												
16	1" NPT	8K	1/2" BSPT***												
20M	M20x1,5 *														
4I	1/4" BSPP (G)**														
6I	3/8" BSPP (G)**														
8I	1/2" BSPP (G)**														
CONNECTION															
F FEMALE															
M MALE															
RATING (SGA ONLY)															
06 6,000 PSI															
10 10,000 PSI															
MATERIAL															
S	Aisi 316L	F	Alloy 400												
A	A 105	G	Alloy C276												
D	Duplex F51	H	6 Mo/F44												
E	Super Duplex F55	I	Alloy 625												

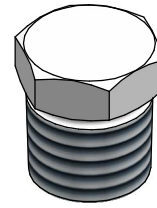
* EN 837-1 DESIGN

** ISO 1179 DESIGN ("MA" ONLY)

*** ISO 7/1

Attention - Above guideline shows all possible product configuration. Tailor-made solutions must be evaluated and approved by ITE technical dept before accepting and processing your order





HOW TO ORDER


		8	P	H	-	0	6	S
CONNECTIONS								
2	1/8"	8						
4	1/4"	12						
6	3/8"	16						
MODEL								
PH HEX MALE PLUG								
RATING								
06	Series 6.000 PSI							
10	Series 10.000 PSI							
MATERIAL								
S	Aisi 316L	F	Alloy 400					
A	A105	G	Alloy C276					
D	Duplex F51	H	6 Mo/F44					
E	Super Duplex F55	I	Alloy 625					
THREAD								
/	NPT							
K	BSPT R/RC (ISO 7)							
I	BSPP GAS (ISO 1179)							
R	BSPP GAS (EN 837-1) - Gauge connection							


Attention - Above guideline shows all possible product configuration. Tailor-made solutions must be evaluated and approved by ITE technical dept before accepting and processing your order

AUTHORIZED DISTRIBUTOR:

PS PACIFIC STANDARD PTE LTD

 2 BENOI CRESCENT SINGAPORE 629969

 +65-6681 9285

 +65-6261 9013

 SALES@PACIFICSTANDARD.COM.SG

 WWW.PACIFICSTANDARD.COM.SG

